

COMPACT GARAGE DOOR

SPACE-SAVING ROLLER GARAGE DOOR :: TECHNICAL DATASHEET



Suitable for residential applications as a garage door, the Compact is individually made to specific user requirements. The Compact Garage Door has been designed specifically for openings where room above or to the side of an opening is limited. Remote control operation by radio frequency rolling code key fobs, courtesy light, safety features, and manual override all as standard. Internal or external face or reveal fit.



APPLICATIONS

Medium to high security domestic garages with minimal space above the opening. The Compact has smaller slats, enabling a reduced box size.

CURTAIN SLAT

Aluminium double skinned polyester powder coated slat with polyurethane foam insulating core. Circular box available (surcharge applies).

Finish: White, Grey, Silver, Ivory, Cream White, Beige, Anthracite, Velvet Brown, Brown, Black, Fir Green, Blue, Red, Painted Irish Oak, Painted Golden Oak or Painted Rosewood as standard.

Visible Face:	55mm
Weight per m ² :	4kg
Maximum Width:	3000mm
Maximum Area:	9m ²
Slat U-Value:	2.9W/m ² K

ENCLOSURE

Roll-formed aluminium box with pressure-moulded aluminium alloy end plates.

Finish: To match curtain, White or Brown as standard. Brown for wood effect curtains. Option to powder coat any RAL / BS colour (surcharge applies).

Guide Height (mm)

2195
2650

Plate Size (mm)

205
250

Plate sizes shown as a guide only and may vary.

BOTTOM SLAT

Extruded aluminium bottom slat with rubber weather seal.

GUIDE CHANNELS

Extruded aluminium guide channels with brush inserts. Width of 66mm.

Finish: To match curtain, White or Brown as standard. Brown for wood effect curtains. Option to powder coat any RAL / BS colour (surcharge applies).

OPERATIONS

Electric: Somfy or Elero motor with manual override facility & crank handle. Safety brake to comply with legislation. Somfy or Teleco remote control panel with safety sensor, courtesy light & 2 key fobs, with or without integrated alarm.

The Compact garage door can be tailored to requirements and installed as a standard security shutter, the T55.

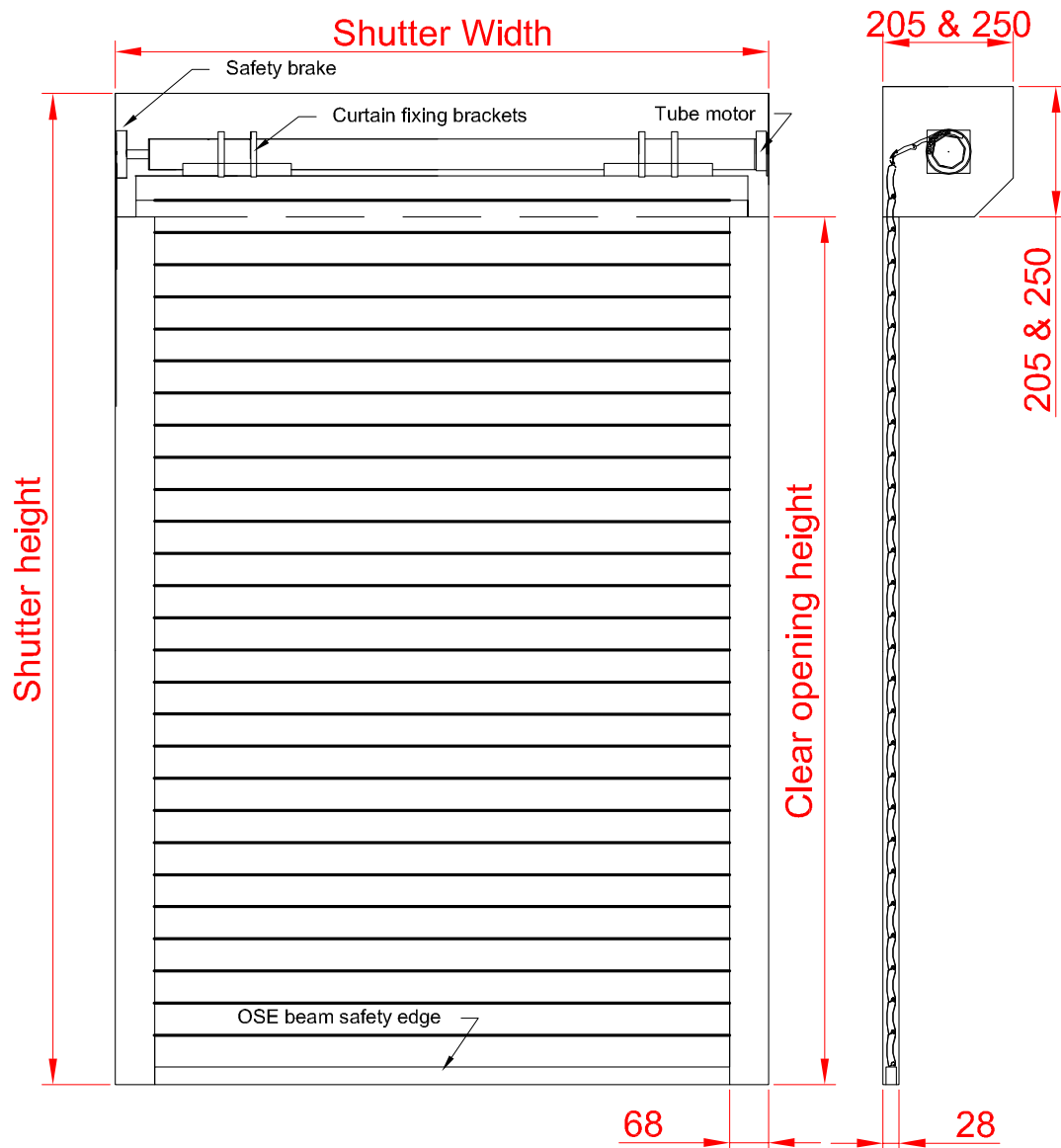
CE compliant to all applicable directives and standards.

COMPACT GARAGE DOOR

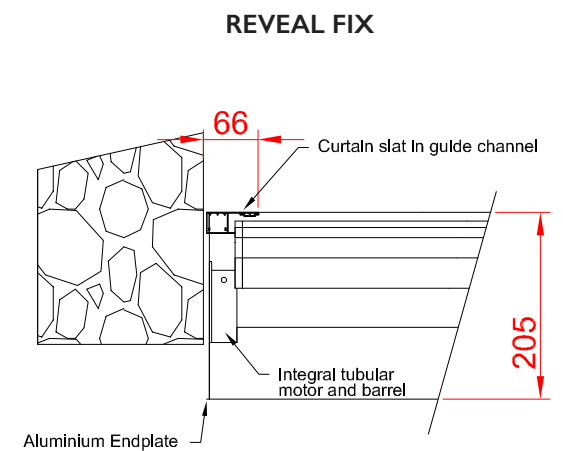
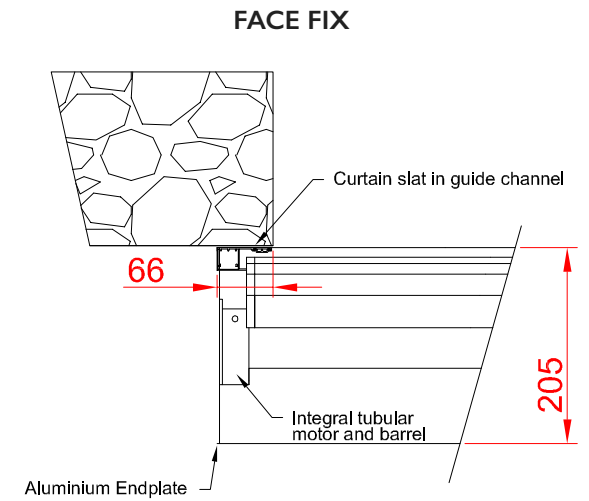
SPACE-SAVING ROLLER GARAGE DOOR :: TECHNICAL DATASHEET



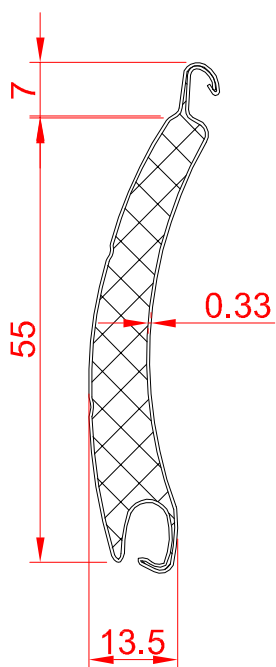
FRONT FACE



FIXING DETAIL



SLAT PROFILE



GUIDE CHANNELS

