

# Industrial Rol•a•Door®

Gliderol® Continuous Sheet  
Curtain Roller Door



**Unprecedented in Construction and Design** in terms of technical excellence and superior design, the Gliderol® Industrial Rol•a•Door® is unsurpassed in the manufacturing industry. The Gliderol® Roller Door will undoubtedly add style and character to any building; the Industrial Rol•a•Door® can be made to suit most commercial/industrial openings, and is designed to provide reliable service for years to come.

**Leading the way in technology world wide** Gliderol® Garage & Industrial Doors is a wholly owned Australian manufacturing company, with over fifteen international licensees world wide. The Gliderol® Industrial Rol•a•Door®, through years of research and development has evolved into a product demanding world wide attention. Computer assisted technology has enabled Gliderol® to develop its manufacturing processes to produce an award winning industrial door that is cost effective, strong, hard-wearing and safe.

**Quality and Safety that can be relied on** The Gliderol® Industrial Rol•a•Door® will provide you with strength and safety as a priority at all times. The strength gained from the unique broadline profile and aluminum bottom rail is unrivalled.

A Gliderol® Roller Door will always remain a very safe roller door for you to operate throughout its life span. The unique spring assisted spindle assembly will enable the Roller Door to always open and close easily, providing reliable performance at all times.

Manufactured by  
**Gliderol® Garage &  
Industrial Doors Ltd**

Davy Drive  
North West Industrial Estate  
Peterlee  
Co. Durham SR8 2JF

Telephone: 0191 518 0455  
Facsimile: 0191 518 0548

# Gliderol® Industrial Rol•a•Door®

## Gliderol® Continuous Sheet Curtain Roller Door

### Features

**(1) Roller Door Curtain** Gliderol® rollformed **CORUS STEEL®** sheet panels. Weather resistant and durable, able to withstand the harshest of conditions. The curtain provides industrial strength and quality in design to enhance overall appearance of the Roller Door.

**(2) Spring Assistance** The Gliderol® Roller Door with its spring assisted mechanism offers precise balance enabling the user efficient easy operation. A fine balance between the weight of the curtain and the upward pull of the springs is maintained regardless of the position of your door.

**(3) Drum Wheel** Gliderol® was the first to employ the use of engineering plastics in the manufacture of the drum wheel. This nylon drum wheel has been developed over time into a hard-wearing high performance component.

**(4) Polyglide™** Revolutionary new material developed by Gliderol® Doors specifically for Roller Door operation. Allows effortless operation, with minimum noise and friction. Polyglide was tested for 22,000 cycles continuous use, the equivalent of more than 21 years service, based on three cycles per day.

**(5) Weatherseal** Durable weatherseal prevents any undesirable material entering your garage from the outside when the Gliderol® Roller Door is closed.

**(6) Bottom Rail** Aluminum in construction, this bottom rail has been specifically designed to reinforce your Roller Door against intruder penetration. Lockseamed to the Roller Door curtain, the bottom rail will provide sustained security and strength.

**(7) Door Stop/Roller** Designed specially to reduce friction and to assist in ease of operation when opening and closing your Gliderol® Roller Door.

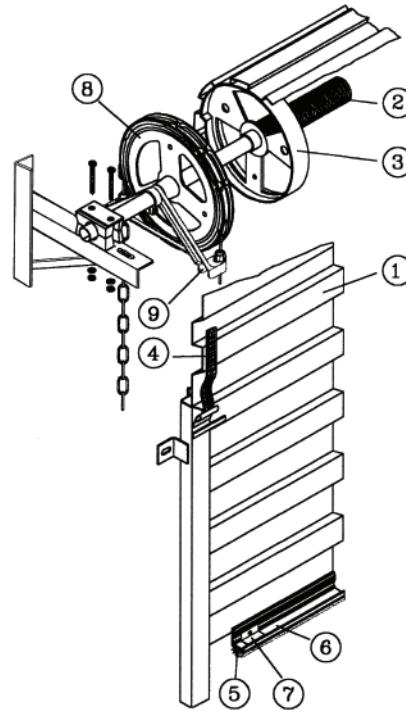
**(8) Direct Chain Wheel** Constructed of glass-reinforced nylon, the direct chain wheel provides the user with smooth, efficient lifting assistance.

**(9) Chain Guide** Prevents the chain from slipping or releasing from chain wheel, ensures that safety is maintained at all times.

**(\*) External Shoot Bolt** Practical locking mechanism enabling you to secure the Roller Door with padlocks from outside. Can be mounted at any height to suit individual preferences.

**(\*) Optional Windlocking** Secure your Gliderol® Roller Door against prevailing winds. Windlock Clips fixed to the Roller Door curtain secure the door guide (\*Cyclone rated. Certified AS1170-2).

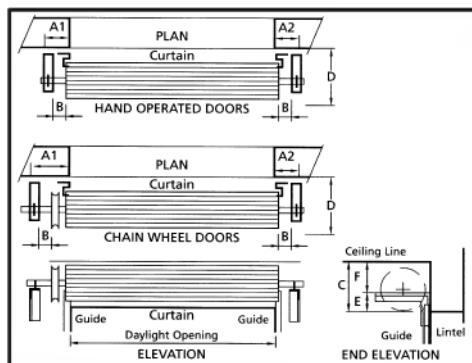
**(\*) Optional Planetary Gearing** assisted lifting mechanism purposefully designed to enable safe, easy lifting operation of very large doors. Standard on any manual Industrial Rol•a•Door covering an opening of greater than 10.5 square metres.



Industrial Rol•a•Door® perfect for multiple storage facilities.



Gliderol Guarantee All new Gliderol Roller Doors come with the Gliderol guarantee. Complete warranty details will be clearly outlined at point of sale.



DIMENSION PANEL (Minimum sizes) mm						
SERIES B INDUSTRIAL	Side Room A1	Side Room A2	B	Head Room C	D	E F
Hand Operated Up to 2400 high	150	125	50-100	460	540	190 270
Up to 500 high	150	125	50-100	490	560	205 285
Chain Operated Up to 2400 high	225	125	50-100	460	540	190 270
Up to 3000 high	225	125	50-100	490	560	205 285
Over 3000 high	225	125	50-100	530	580	230 300
STANDARD CURTAIN WIDTHS						
1000, 1300, 1600, 1900, 2200, 2800, 3100, 3430, 3700, 3760, 4300, 4370, 5000, 5100						
CURTAIN WIDTH						
DAYLIGHT OPENING PLUS 100mm						

# Glidermatic GDR™

## Industrial Roller Door Opener



**Glidermatic GRD™** opener is the first operator of its kind especially designed for continuous sheet curtain doors, available exclusively from Gliderol® Garage & Industrial Doors Limited.

This uniquely engineered unit will provide you with an economic, dependable, high quality operator for doors up to 5 metres wide and 5 metres in height.

The Drive Unit remains the only operator available with the orbiting drive motors fully housed within the coil of the door and it requires only minimal field installation time, as a result of this innovative design feature.

The Drive Unit may be factory fitted inside the coil of the door or retrofitted to an existing installed door and comes complete with emergency chain hoist.

Installation requires only an additional 75mm of side room to that of a manual

push-up door or the same space required for our direct or reduced gear ratio drive chain hoist.

Power supply required to the wall mounted Control Box is standard supply voltage single phase. All control circuits and wiring to the Drive Unit are a low 24-volt DC; a plug-in wire is supplied to connect the Drive Unit to Control Box. The Drive Unit accommodates one or two 1/3 HP DC motor(s), according to door size. The Control Box features three buttons for the UP, DOWN and STOP functions providing convenient, safe and secure operation of the door.

Safety reversing and obstruction control is via the use of an optional PE Cell linked directly to the Control Box to interrupt the door function and by the use of Gliderol's patented obstruction detection system built into the control circuitry.

Manufactured by  
**Gliderol® Garage & Industrial Doors Ltd**

Davy Drive  
North West Industrial Estate  
Peterlee  
Co. Durham SR8 2JF

Telephone: 0191 518 0455  
Facsimile: 0191 518 0548

# Glidermatic GRD

## Industrial Roller Door Opener

The **Glidermatic GRD™** has been tested by the Underwriters Laboratory and has been patented worldwide.

The Glidermatic GRD™ operator's quality and dependability have been thoroughly tested and successfully proven with nearly twenty years of service in actual field use.

**Drive Unit 1/3 HP DC Motor(s)** are fixed to an end drum wheel and have special gear heads that project into and mesh with the main planetary gear housing which remains stationary for motor operation.

The drive force of the motor gear head rotates the motor(s), along with the drum wheel and door curtain, around the fixed planetary gear.

Door travel is controlled by open and close limit switches, which are actuated by cam gears that are completely adjustable to suit door height. Easy access is provided. See detail A.



**Detail A: End view of Drive Unit with access cover removed showing limit switches, cam gears and cut out switch. Also shown is the Manual emergency disconnect lever and the anchor block attached to wall bracket with dual anchor pins into the Drive Housing.**

Diagram below right **Glidermatic GRD™** features:

1. Drive unit 1/3 HP DC motor(s)
2. Gear Heads
3. Planetary gear housing
4. Drum Wheel
5. Open and close limit switches
6. Cam gears
7. Emergency chain hoist
8. Plunger
9. Cut-out switch

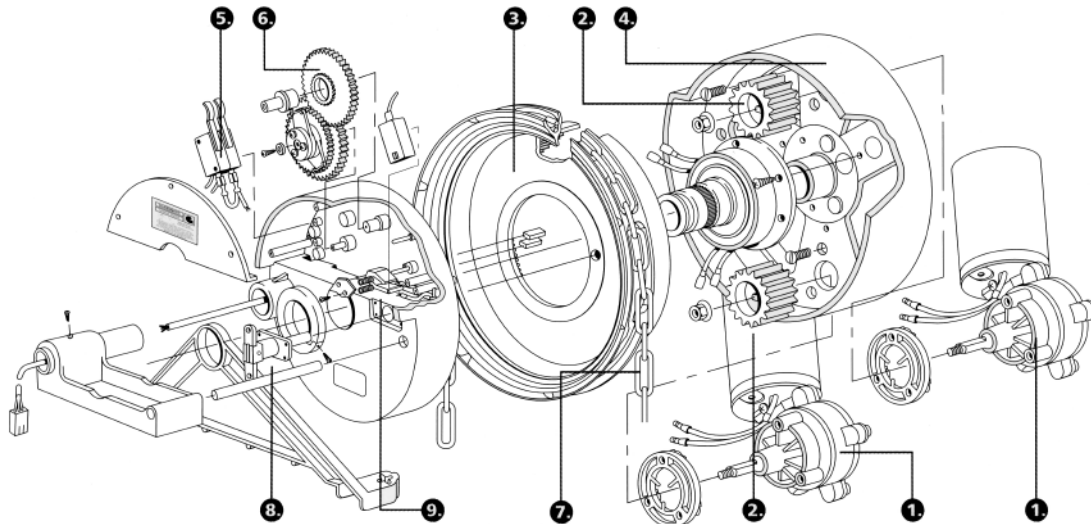


Diagram below: **Glidermatic GRD™** Red Pin Handle



Manual Operation



Glidermatic™

Door travel limit switch settings are not disturbed if door is switched to chain hoist operation, since the cam gears are rotated only by the actual travel of the door curtain. Settings are not lost during power failure either.

**Emergency Chain Hoist** is moulded as part of the main planetary gear housing. In the case of power failure, a simple lever action withdraws a plunger from the main planetary gear, which then makes it connect directly to the coil of the door, which can now be operated by the chain hoist.

A cut-out switch deactivates all power to the motor(s) while the lever is set to chain hoist operation.

**Control Box** is a fully insulated enclosure that contains the logic circuitry, which includes overload protection. A three station push button with UP-DOWN-STOP is furnished in the control box as standard.

**Minimal Field Installation** is required for the control box and push button station, which is wall mounted in close proximity to the door.

The Company reserves the right to make changes or improvements to the products or accessories without notice and without incurring any obligation to make similar changes or improvements to goods previously ordered.



**Detail B: Interior view of Dual 1/3 HP DC motors inside the coil of the door. Also shown is the chain hoist sheave, which accepts welded chain and the chain guide.**

**Glidermatic GRD™ Guarantee** Each newly installed or retrofitted Glidermatic GRD™ is guaranteed with the Gliderol warranty, which provides you with a 24 month warranty on all electrical components, mechanical parts and workmanship.

Manufactured by  
**Gliderol Garage & Industrial Doors Ltd**

Davy Drive  
North West Industrial Estate  
Peterlee  
Co. Durham SR8 2JF

Telephone: 0191 518 0455  
Facsimile: 0191 518 0548