



INDUSTRIAL DOORS

Types: TLP, TL-FV, TLT



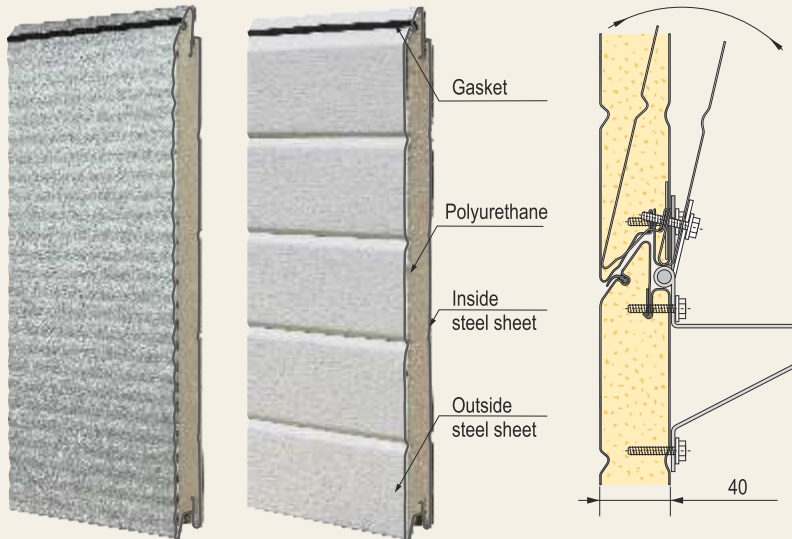
sectional door solutions



CFC free
polyurethane

Type TLP

Insulated industrial doors

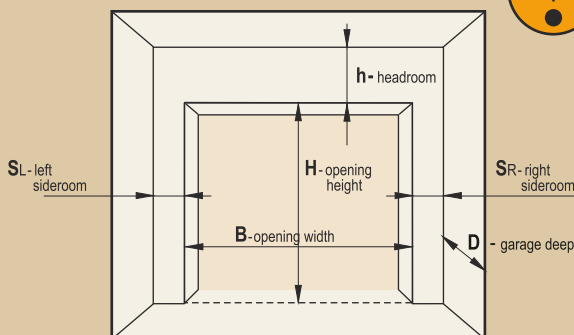


TLP industrial door of 40 mm thick, sandwich type insulated panels. Standard panel heights are 500 and 610 mm. Ribbed or wavy panel profile. Sections of this type can be used in the door up to 50 square meters. TLP door includes heavy duty tracks and door hardware. Torsion springs may be designed for 20 000, 50 000 or 100 000 cycles.



TLP industrial door is CE marked and meets the newest EN requirements. Tested and certified by "SP Proving Forskning" labs in Sweden.

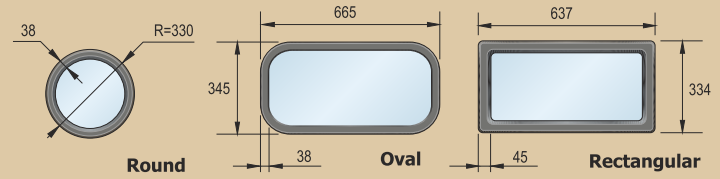
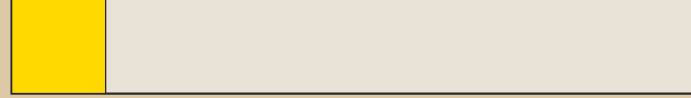
Ordering measures



Lifting types

Wide range of track systems makes Ryterna industrial door fit in buildings with all kinds of headroom sizes and configurations.

i *Custom track systems available on request.



Windows

3 types of windows (round, oval and rectangular), or Full Vision panel may be installed into TLP door.

Pass doors

Standard pass door size is H 2000 mm x W 800 mm.

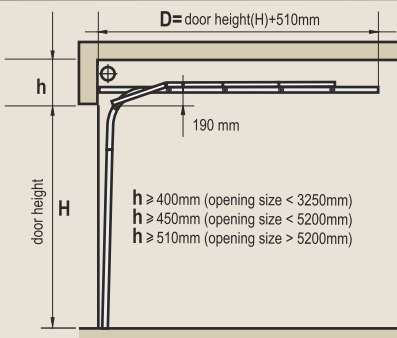
Side doors

Made to size to fit your sectional door.

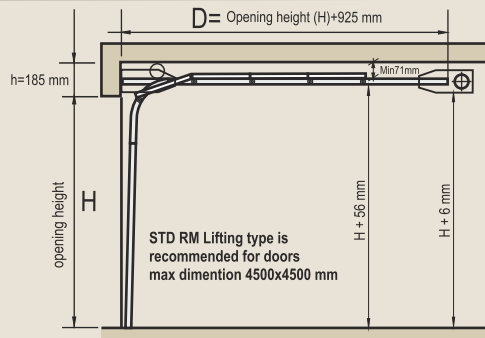
i Nonstandard window or pass door spacing solutions available under request.



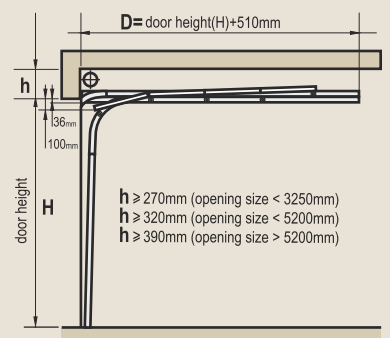
STD - standard lift



STD RM



LHR FM - low headroom lift double tracks, front mounted springs





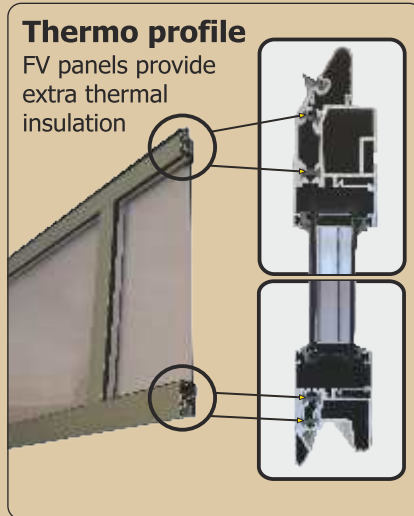
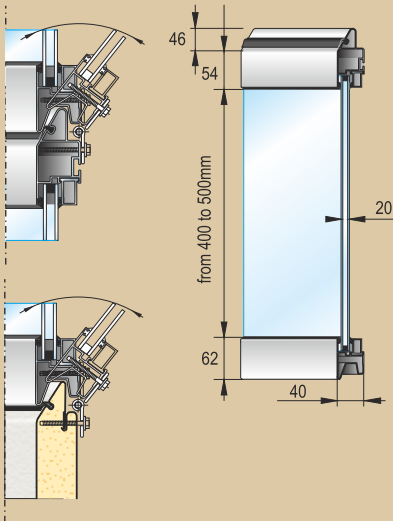
TL-Full View

Glazed Aluminum doors



Sections

TL-FV door panels - anodized aluminum frames glazed with double acrylic glass, may be finished in different RAL colours. White, sandwich type bottom panel is standard for TL-Full View doors.

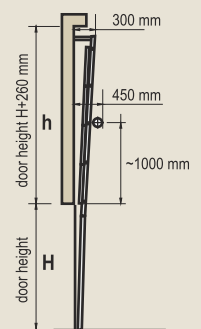
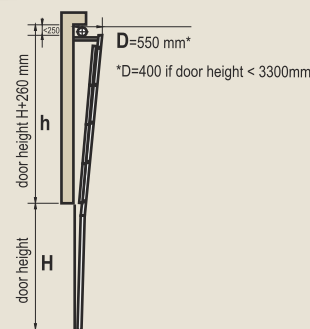
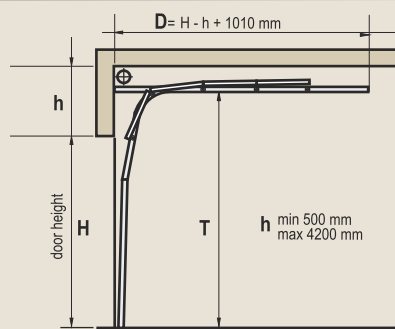
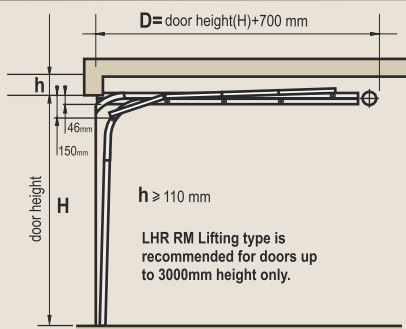


LHR RM - low headroom lift double tracks, rear mounted springs

HL - high lift

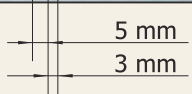
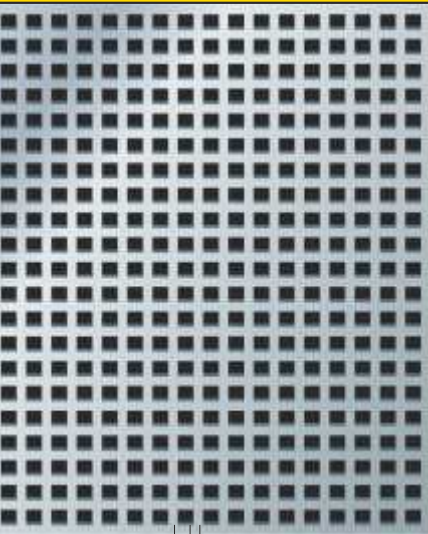
VL - vertical lift

VL - vertical lift, low mounted springs





Type TLT



TLT sectional door is designed for premises that require intensive ventilation, such as underground garages and car parks. Alu-frame with perforated, galvanized and coated steel sheets provides required air flow.



Optional TLP panel types



Wide range of panel patterns, colours and wood images are optional on TLP doors.

CASSETTE



RIB Golden Oak	RIB Old Oak	RIB Dark Oak	RIB Mahogany	MIDRIB RAL 9016	MIDRIB Golden Oak	MIDRIB Old Oak	MICRORIB RAL 9016	SLICK PLUS Golden Oak	SLICK PLUS Rusty	SLICK PLUS Stainless steel

TLP door texture and colours



Ribbed panel surface has standard "Stucco" pattern



Macrorib standard colour 9006

Standard colours (ribbed panels only)

RAL 9001	RAL 9002	RAL 9006	RAL 9016
RAL 3000	RAL 5010	RAL 6005	RAL 6009
RAL 7016	RAL 8017	RAL 9005	

i Others panel surfaces are available upon request.

i Painted RAL colours are available upon request



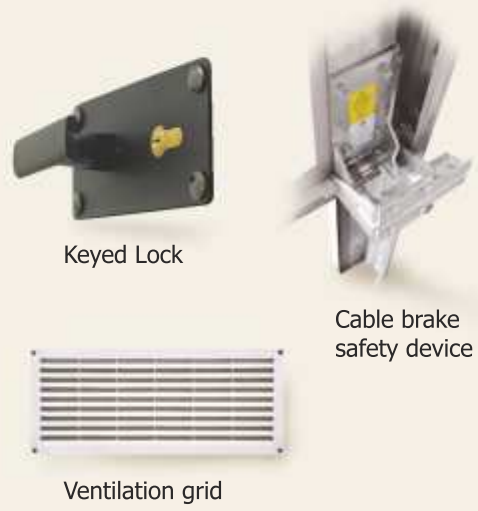
TLP door accessories



Standard



Options



Door Operation Accessories

