



SAFELIFT CANOPY GEAR

STANDARD DOOR AND BRICKWORK APERTURE SIZES

- It is recommended that Safelift Canopy is fitted to a weatherbeaded 70 mm x 70 mm timber "goalpost" frame, although the door can be fitted to a smaller side jamb down to a minimum of 45 mm wide. This frame is not supplied. A Cardale Quick-fit steel frame can also be used. Safelift Canopy steel frame dimensions are 54 mm wide on side section, 68 mm high on top section and 35 mm deep all round, plus there is also an option of a 68 mm wide side jamb.
- The minimum headroom required above the lower face of the top timber or lintel is 65 mm.

NOTES

Door sizes given represent opening sizes within the frame. Door leaves are approximately 19 mm narrower and 25 mm shorter to allow for operating clearances and tolerances. 'Within the brickwork' aperture dimensions include a 3 mm gap between the frame and brickwork on all three sides to allow for coursing and tolerances. 'Behind the brickwork' aperture dimensions allow the frame to overlap into the aperture by a minimum of 13 mm on both sides to allow for coursing and tolerances.

BRICKWORK APERTURE SIZES FOR FRAMES FITTED WITHIN THE OPENING

	Door size	Timber frame (70x70mm)	54mm Quick-fit steel frame	68mm Quick-fit steel frame
Size code	width x height	Brickwork aperture width x height	Brickwork aperture width x height	Brickwork aperture width x height
6666	1981 x 1981mm	2127 x 2054mm	2095 x 2052mm	2123 x 2052mm
6670	1981 x 2134mm	2127 x 2207mm	2095 x 2205mm	2123 x 2205mm
7066	2134 x 1981mm	2280 x 2054mm	2248 x 2052mm	2276 x 2052mm
7070	2134 x 2134mm	2280 x 2207mm	2248 x 2205mm	2276 x 2205mm
7364	2222 x 1930mm	2368 x 2003mm	2336 x 2001mm	2364 x 2001mm
7566	2261 x 1981mm	2407 x 2054mm	2375 x 2052mm	2403 x 2052mm
7570	2261 x 2134mm	2407 x 2207mm	2375 x 2205mm	2403 x 2205mm
7666	2286 x 1981mm	2432 x 2054mm	2400 x 2052mm	2428 x 2052mm
7670	2286 x 2134mm	2432 x 2207mm	2400 x 2205mm	2428 x 2205mm
8066	2438 x 1981mm	2584 x 2054mm	2552 x 2052mm	2580 x 2052mm
8070	2438 x 2134mm	2584 x 2207mm	2552 x 2205mm	2580 x 2205mm

BRICKWORK APERTURE SIZES FOR FRAMES FITTED BEHIND THE OPENING

	Door size	Timber frame (70x70mm)	54mm Quick-fit steel frame	68mm Quick-fit steel frame
Size code	width x height	Brickwork aperture width x height	Brickwork aperture width x height	Brickwork aperture width x height
6666	1981 x 1981mm	2007 x 1981mm	2007 x 1981mm	2007 x 1981mm
6670	1981 x 2134mm	2007 x 2134mm	2007 x 2134mm	2007 x 2134mm
7066	2134 x 1981mm	2160 x 1981mm	2160 x 1981mm	2160 x 1981mm
7070	2134 x 2134mm	2160 x 2134mm	2160 x 2134mm	2160 x 2134mm
7364	2222 x 1930mm	2248 x 1930mm	2248 x 1930mm	2248 x 1930mm
7566	2261 x 1981mm	2287 x 1981mm	2287 x 1981mm	2287 x 1981mm
7570	2261 x 2134mm	2287 x 2134mm	2287 x 2134mm	2287 x 2134mm
7666	2286 x 1981mm	2312 x 1981mm	2312 x 1981mm	2312 x 1981mm
7670	2286 x 2134mm	2312 x 2134mm	2312 x 2134mm	2312 x 2134mm
8066	2438 x 1981mm	2464 x 1981mm	2464 x 1981mm	2464 x 1981mm
8070	2438 x 2134mm	2464 x 2134mm	2464 x 2134mm	2464 x 2134mm

FITTING FRAMES TO THE BRICKWORK

Frames may be fitted within or behind the brickwork. Fitting behind the brickwork, if the garage length allows, will increase the drive-through width by up to 114 mm (4 1/2").

A 19 mm x 19 mm weatherbead should always be fitted to the under-side of the door frame lintel in front of the door to hide the top gap. This feature is integral on the Cardale Quick-fit steel frame.

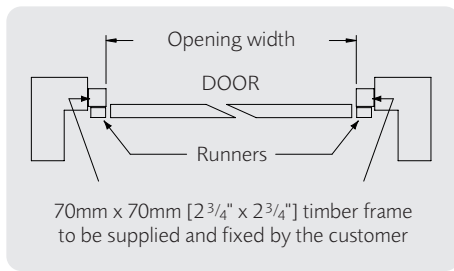
Where an Autoglide electric operator is to be specified together with a Cardale Quick-fit 54mm Safelift Canopy steel frame, the frame must be fitted behind the brickwork. This is not necessary with a 70 mm x 70 mm timber frame or the optional 68 mm steel frame.

Safelift Canopy doors are quick and easy to install and take up less space in the garage when opening.

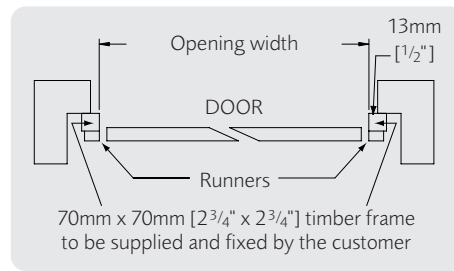
SafeLift Canopy lifting gear is available for single sized doors up to 2438 mm (8'0") wide and 2134 mm (7'0") high only.

SAFELIFT CANOPY GEAR

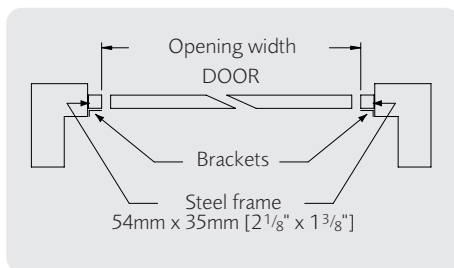
Fitting to timber frame, **within the brickwork aperture**



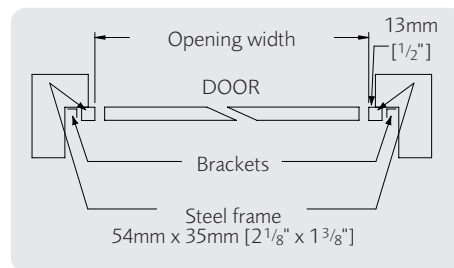
Fitting to timber frame, **behind the brickwork aperture**



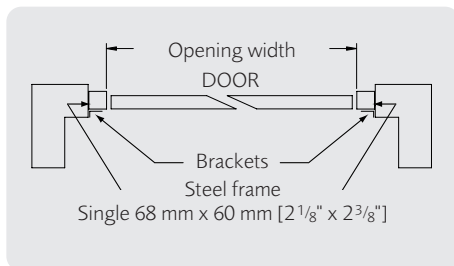
Fitting to Cardale 54 mm Quick-fit steel SafeLift frame, **within the brickwork aperture**



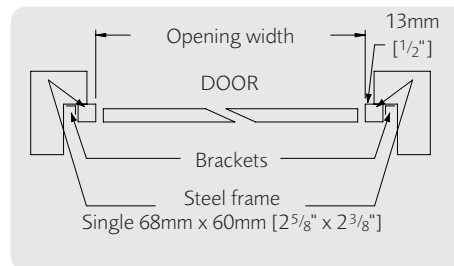
Fitting to Cardale 54 mm Quick-fit steel SafeLift frame, **behind the brickwork aperture**



Fitting to Cardale 68 mm Quick-fit steel SafeLift frame, **within the brickwork aperture**

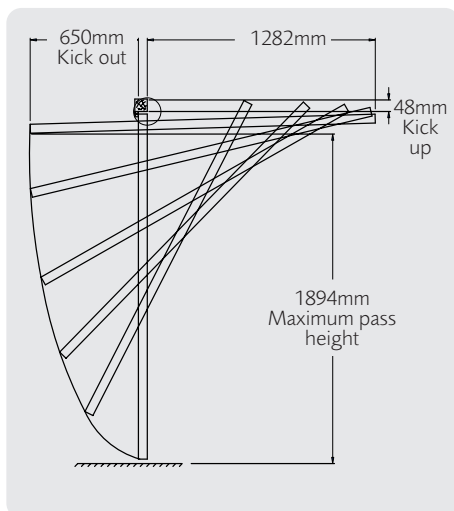


Fitting to Cardale 68mm Quick-fit steel SafeLift frame, **behind the brickwork aperture**

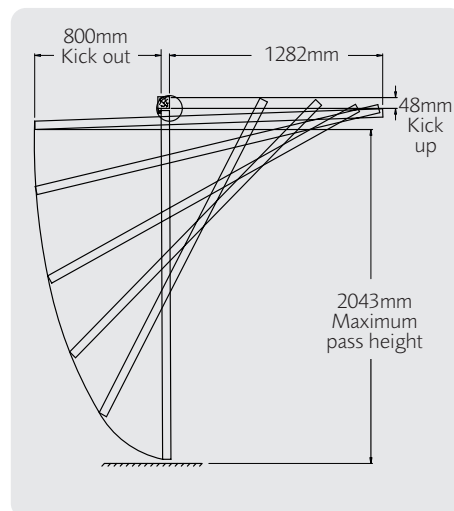


OPENING ARCS OF TRAVEL

Cardale 1981 mm [6'6"] high SafeLift Trackless Canopy doors



Cardale 2134 mm [7'0"] high SafeLift Trackless Canopy doors



SLIDEAWAY RETRACTABLE GEAR MAXIMIZER II® RETRACTABLE GEAR

STANDARD DOOR AND BRICKWORK APERTURE SIZES

- Cardale Slideaway Retractable door gear should be fitted to a weatherbeaded 70 mm x 70 mm standard timber 'goalpost' frame (not supplied). Alternatively Slideaway single and double doors up to 4876 mm may be fitted to a Cardale Quick-fit steel Slideaway frame (single door dimensions = 68 mm wide by 60 mm deep all round, double door dimensions = 68 mm wide x 75 mm deep all round).
- The minimum headroom required above the lower face of the top timber or lintel is 43 mm for double doors, 38.5 mm for single doors.
- Optional Maximiser II retractable lifting gear is available for single sized Cardale doors up to 2438 mm (8'0") wide by 2286 mm (7'6") high only.

NOTES

- Door sizes given are for opening sizes within the frame. Door leaves are approximately 19 mm narrower and 25 mm shorter than the dimensions given to allow for clearances and tolerances.
- In use, single and double slideaway lifting gear reduces drive through width by 114 mm (4 1/2") and height by 127 mm (5"). With optional Maximizer II gear there is no reduction in drive through width up to 1050 mm from the ground on 1981 mm high doors (1200 mm on 2134 mm high doors), and only an 80 mm reduction in height.
- 'Within the brickwork' aperture dimensions include a 3 mm gap between the frame and brickwork on all three sides to allow for coursing and tolerances.
- 'Behind the brickwork' aperture dimensions allow the frame to overlap into the aperture by 13 mm on both sides to allow for coursing and tolerances.
- Slideaway frames for single and double doors are also available 7'6" high for single doors and 8'0" high for double doors.
- Special size frames are available in any size from 6'6" x 6'1" to 16'0" x 8'0".



BRICKWORK APERTURE SIZES FOR FRAMES FITTED WITHIN THE OPENING

Size code	Door size width x height	Timber frame (70x70mm) Brickwork aperture width x height	Quick-fit steel frame Brickwork aperture width x height
6666	1981 x 1981mm	2127 x 2054mm	2123 x 2052mm
6670	1981 x 2134mm	2127 x 2207mm	2123 x 2205mm
7066	2134 x 1981mm	2280 x 2054mm	2276 x 2052mm
7070	2134 x 2134mm	2280 x 2207mm	2276 x 2205mm
7364	2222 x 1930mm	2368 x 2003mm	2364 x 2001mm
7566	2261 x 1981mm	2407 x 2054mm	2403 x 2052mm
7570	2261 x 2134mm	2407 x 2207mm	2403 x 2205mm
7666	2286 x 1981mm	2432 x 2054mm	2428 x 2052mm
7670	2286 x 2134mm	2432 x 2207mm	2428 x 2205mm
8066	2438 x 1981mm	2584 x 2054mm	2580 x 2052mm
8070	2438 x 2134mm	2584 x 2207mm	2580 x 2205mm
1466	4267 x 1981mm	4413 x 2054mm	4413 x 2052mm
1470	4267 x 2134mm	4413 x 2207mm	4413 x 2205mm

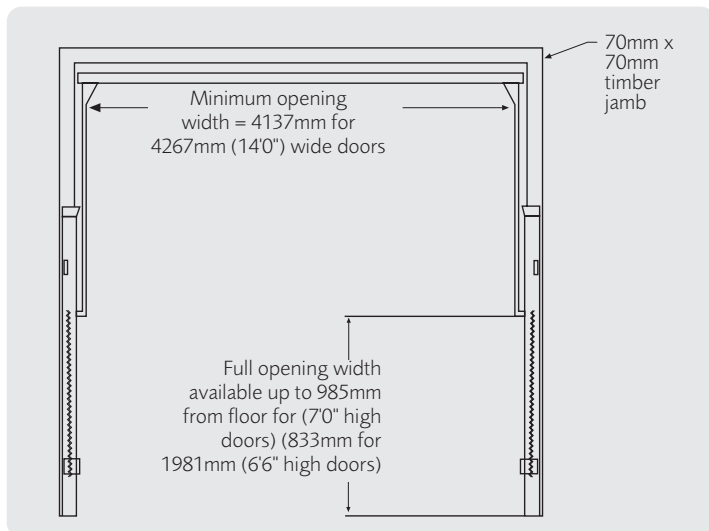
BRICKWORK APERTURE SIZES FOR FRAMES FITTED BEHIND THE OPENING

Size code	Door size width x height	Timber frame (70x70mm) Brickwork aperture width x height	Quick-fit steel frame Brickwork aperture width x height
6666	1981 x 1981mm	2007 x 1981mm	2007 x 1981mm
6670	1981 x 2134mm	2007 x 2134mm	2007 x 2134mm
7066	2134 x 1981mm	2160 x 1981mm	2160 x 1981mm
7070	2134 x 2134mm	2160 x 2134mm	2160 x 2134mm
7364	2222 x 1930mm	2248 x 1930mm	2248 x 1930mm
7566	2261 x 1981mm	2287 x 1981mm	2287 x 1981mm
7570	2261 x 2134mm	2287 x 2134mm	2287 x 2134mm
7666	2286 x 1981mm	2312 x 1981mm	2312 x 1981mm
7670	2286 x 2134mm	2312 x 2134mm	2312 x 2134mm
8066	2438 x 1981mm	2464 x 1981mm	2464 x 1981mm
8070	2438 x 2134mm	2464 x 2134mm	2464 x 2134mm
1466	4267 x 1981mm	4293 x 1981mm	4293 x 1981mm
1470	4267 x 2134mm	4293 x 2134mm	4293 x 2134mm

SLIDEAWAY

DRIVE-THROUGH CLEARANCES

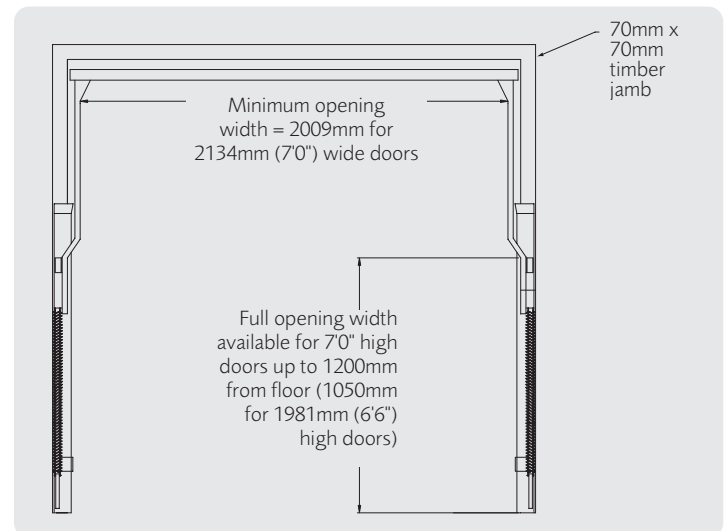
(Double sized Slideaway doors up to 4876 mm (16' 0") wide by 2286 mm (7'6") high only & single Euro Oak doors)



MAXIMIZER II®

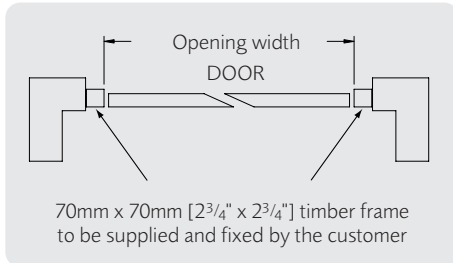
DRIVE-THROUGH CLEARANCES

(single sized Slideaway doors up to 2438 mm (8'0") wide by 2286 mm (7'6") high only. Euro Oak doors all requires Slideaway gear - see left)

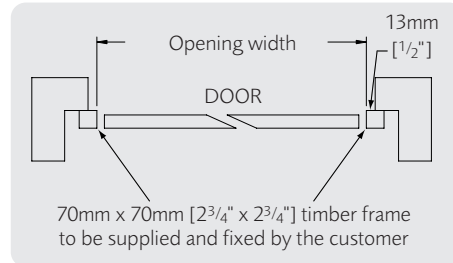


SLIDEAWAY RETRACTABLE GEAR MAXIMIZER II® RETRACTABLE GEAR

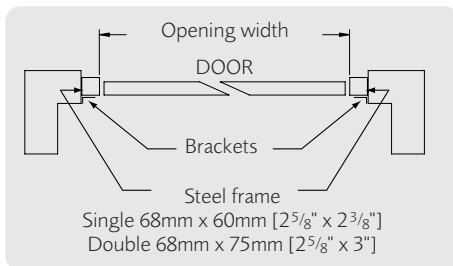
Fitting to timber frame, **within the brickwork aperture**



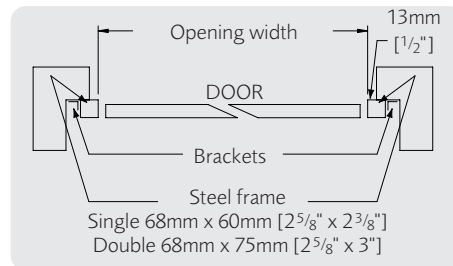
Fitting to timber frame, **behind the brickwork aperture**



Fitting to Cardale Quick-fit steel Slideaway frame, **within the brickwork aperture**



Fitting to Cardale Quick-fit steel Slideaway frame, **behind the brickwork aperture**



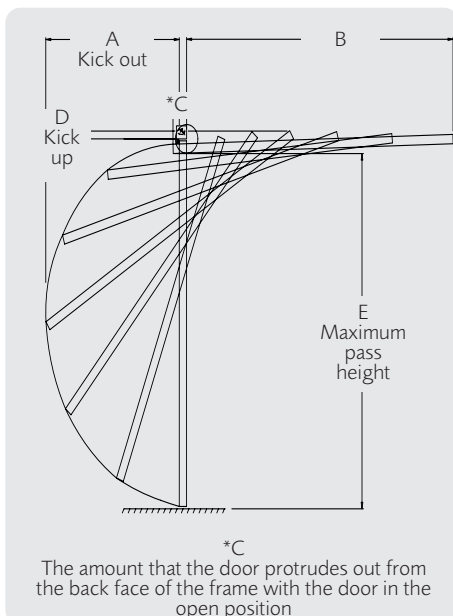
FITTING FRAMES TO THE BRICKWORK

Frames may be fitted within or behind the brickwork as per the drawings shown. Fitting behind the brickwork, if the garage length allows, will increase drive-through width by up to 114 mm (4 1/2").

A 19 mm x 19 mm weatherbead should be fitted to the underside of the door frame lintel in front of the door to hide the top gap. This feature is integral on the Cardale Quick-fit steel frame.

Slideaway doors offer exceptionally smooth opening action and are ideal for electric operation.

OPENING ARCS OF TRAVEL



KEY

	1981mm (6'6")	2134mm (7'0")
Size	high single	high single
Code	Maximizer II doors	Maximizer II doors
A	880mm	1030mm
B	1877mm	1877mm
*C	116mm	268mm
D	38.5mm	38.5mm
E	1884mm	2030mm

	1981mm (6'6")	2134mm (7'0")
Size	high double	high double
Code	Slideaway doors	Slideaway doors
A	900mm	1040mm
B	1877mm	1877mm
C	131mm	283mm
D	43mm	43mm
E	1890mm	2040mm

SIDE HINGED DOORS

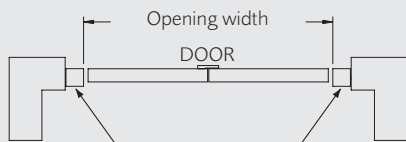
Brickwork aperture sizes for frames fitted within the opening

Timber frame or Steel frame (70 x 70 mm) (65 x 75 mm)		
	Door size	Aperture
Size code	width x height	width x height
6666	1981 x 1981 mm	2127 x 2054 mm
6670	1981 x 2134 mm	2127 x 2207 mm
7066	2134 x 1981 mm	2280 x 2054 mm
7070	2134 x 2134 mm	2280 x 2207 mm
7666	2286 x 1981 mm	2432 x 2054 mm
7670	2286 x 2134 mm	2432 x 2207 mm
8066	2438 x 1981 mm	2584 x 2054 mm
8070	2438 x 2134 mm	2584 x 2207 mm

- Door sizes given are for opening sizes within the frame.
- Aperture sizes include a minimum 3 mm gap between the frame and the brickwork on all three sides to allow for coursing and tolerances.

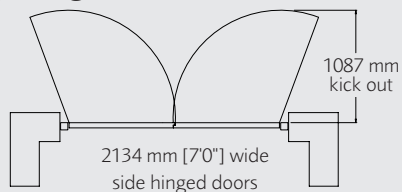
Fitting the frames to the brickwork

Frames should be fitted within the brickwork as per the drawing shown below:



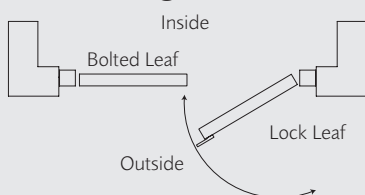
Steel Frame 65mm x 75mm or
70 mm x 70 mm [2³/₄" x 2³/₄"] timber frame
to be supplied and fixed by the customer

Opening arc of travel



- Side hinged doors are supplied pre-framed as standard and come complete with a brass effect Euro profile night latch and deadlock, a pair of door stays, two monkey tail shoot bolts and four anti-drop anchored dog bolt hinges per door leaf.
- A luxury pack with three point locking for the active leaf and "monkey fur" draft sealing is available as an option.

Standard configuration

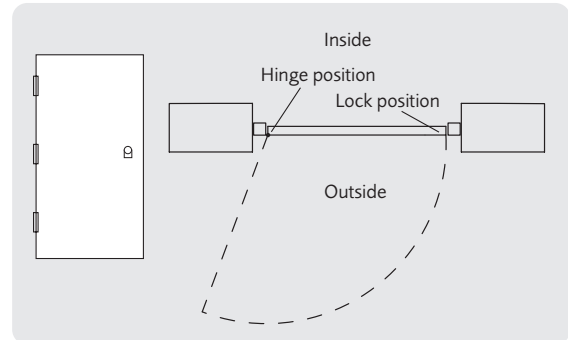


- Doors are supplied to open outwards with the lock on the right when viewed from the outside. Left hand opening is available as an option.

PERSONNEL DOORS

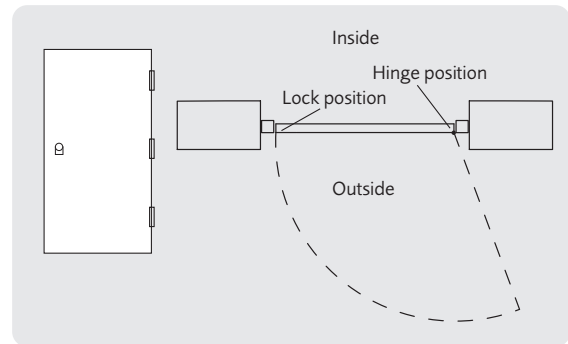
Standard Configuration

Left hand front hinge outward opening



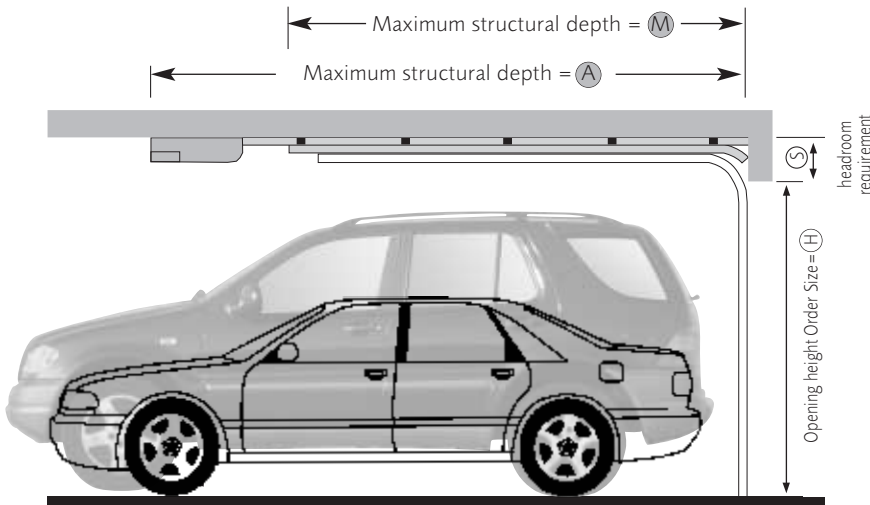
Option 1

Right hand front hinge outward opening



- Personnel doors are supplied pre-framed as standard and come complete with a brass effect Euro profile night latch and deadlock and four anti-drop anchored dog bolt hinges per door leaf.

CARTECK SECTIONAL DOORS



S HEADROOM REQUIREMENT

Equipment	Headroom (mm)	Drive through height*
Electric drive	115	unrestricted
Manual operation	115	-150**

B Opening width (= order size)

H Opening height (= order size)*

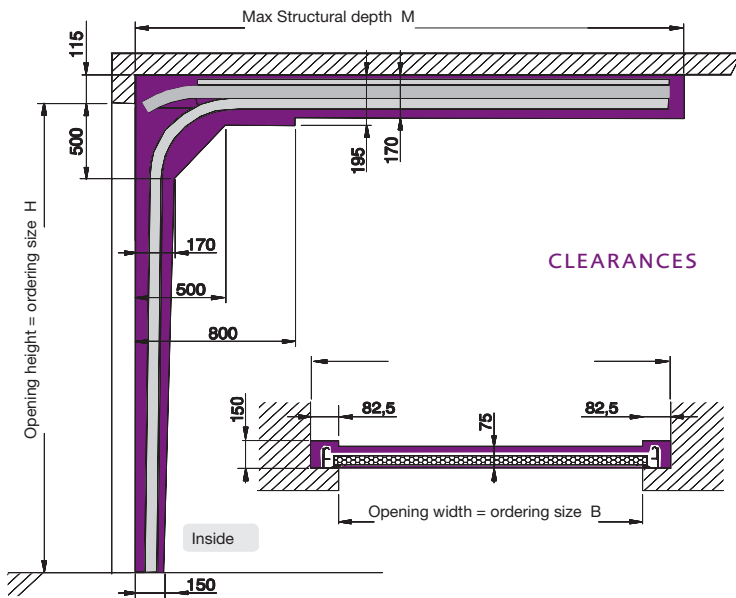
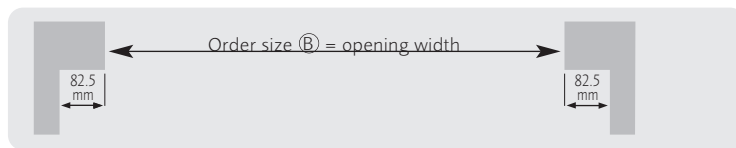
** Unrestricted with detent clip

A MAX STRUCTURAL DEPTH WITH AUTOMATION

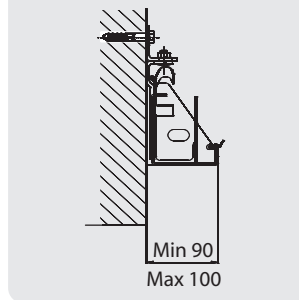
= Boom length + Operator head length

M MAX STRUCTURAL DEPTH WITHOUT AUTOMATION

height (mm)	width (mm)	max structural depth
1875/2000/2125/2250	2000 to 2750	2870
1875/2000	2751 to 5500	3045
2125/2250	2751 to 5300	3170
2375/2500	2000 to 5000	3395
2625/2750	2000 to 4750	3520
2875/3000	2000 to 4000	3645



BETWEEN REVEAL FIXING KIT DETAIL



Thermal transmittance (DIN EN ISO 12428)	U = 0.56 W/m ² k (40 mm panel) U = 1.3 W/m ² k (door leaf without glazing only) U = 2.0 W/m ² k (complete door without glazing)
Air permeability of joints (DIN EN 12426)	Class 2
Wind load (DIN EN 12424)	Class 5
Resistance to water penetration (DIN EN 12425)	Class 3
Fire behaviour (DIN EN 4102)	Door leaf component: Construction material class B2 (standard level of flammability)

N.B.: * The drive through height is the distance from the surface of the finished floor to the lower edge of the head or bottom edge of the door in the open position, whichever is the lower. When planning, please bear in mind that this distance is reduced if screed or asphalt is applied.

TECHNICAL INFORMATION

STEEL-LINE ROLLER DOORS

STANDARD DOOR AND BRICKWORK APERTURE SIZES

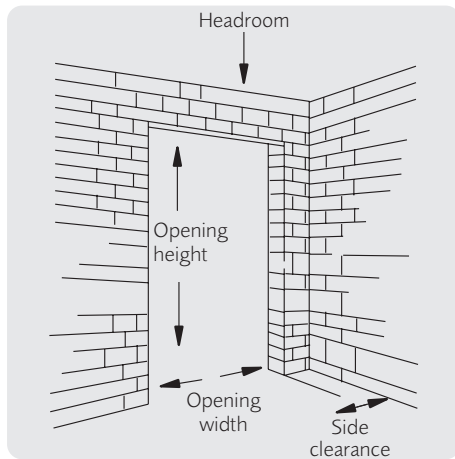
- Steel-line roller doors are specified by curtain size and made to measure in 5 mm (3/16") increments from 900mm (3'0") wide x 1200 mm (4'0") high to 5100 mm (16' 9") wide x 3050 mm (10' 0") high.
- Widths up to 3404 mm (11' 2") are classed as 'A' series. Widths above this are classed as 'AA' series.
- When correctly installed the door curtain should overlap the opening width on both sides by a minimum of:
 - 25 mm each side for 'A' series doors without Rollguard
 - 50 mm each side for 'AA' series doors without Rollguard
 - 35 mm each side for all doors supplied with Rollguard

HEADROOM

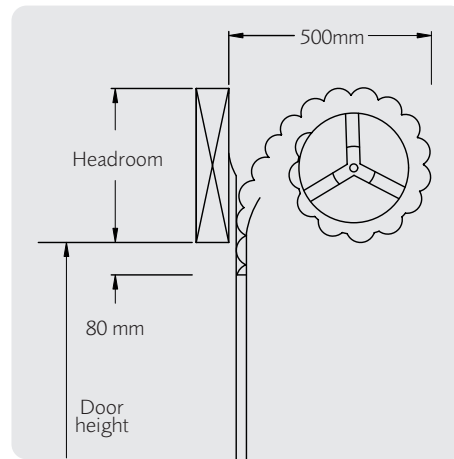
The minimum clearance between the bottom of the lintel and the ceiling will vary according to the door height required, as illustrated below.

NOTES

- The clearance must extend back into the garage by 500 mm for all door heights.
- The stated headroom is only necessary if the door roll is to be hidden from outside view. In cases of reduced headroom, the roll can be fixed lower, however there will be a corresponding reduction in drive-through height.
- The drive-through height will be a minimum of 80 mm less than the opening height.



Minimum clearance required per side		
Door type	Manual door	Automatic door (Operator side only)
'A' Series	90mm	100mm
'AA' Series	120mm	150mm
All doors with Rollguard	150mm	150mm



Door height	Minimum headroom
2134mm (7'0")	380mm
2286mm (7'6")	405mm
2438mm (8'0")	405mm
2743mm (9'0")	430mm
3048mm (10'0")	455mm

MINIMUM CLEARANCES

Aperture Width	Curtain width	
	Excluding Rollguard	Including Rollguard
1219mm (4'0")	1270mm	1290mm
1829mm (6'0")	1880mm	1900mm
2134mm (7'0")	2185mm	2205mm
2286mm (7'6")	2335mm	2355mm
2438mm (8'0")	2490mm	2510mm
2591mm (8'6")	2640mm	2660mm
2743mm (9'0")	2800mm	2820mm
3048mm (10'0")	3100mm	3120mm
3353mm (11'0")	3400mm	3420mm
3658mm (12'0")	3760mm	3730mm
4267mm (14'0")	4370mm	4340mm
5000mm (16'5")	5100mm	5070mm

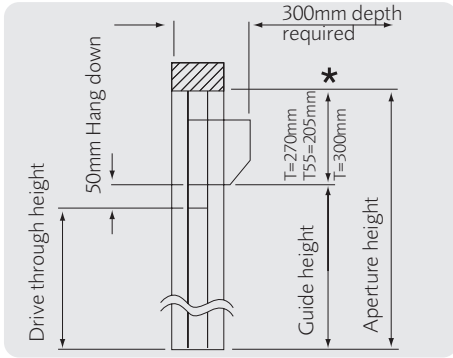
The curtain height should be specified the same as the aperture height.

These dimensions should be added to the aperture width when specifying to give the correct curtain width, as per the table above (note: curtain sizes have been rounded).

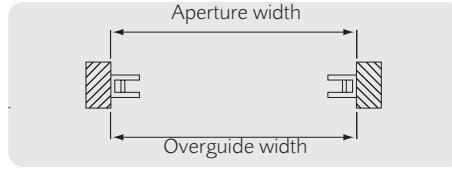
TECHNICAL INFORMATION

THERMAGLIDE ROLLER DOORS

FITTING WITHIN THE APERTURE (between walls or between reveal)



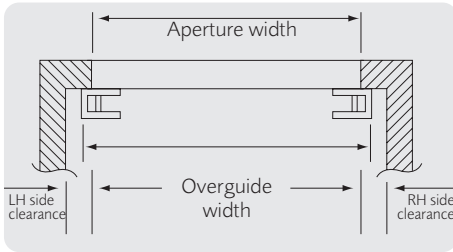
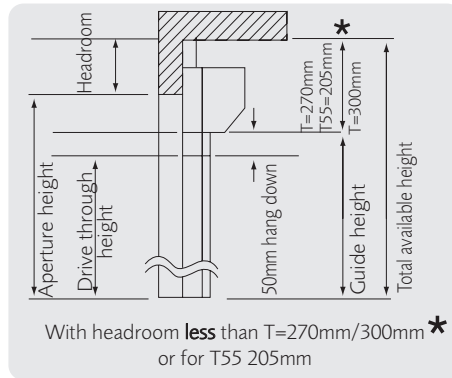
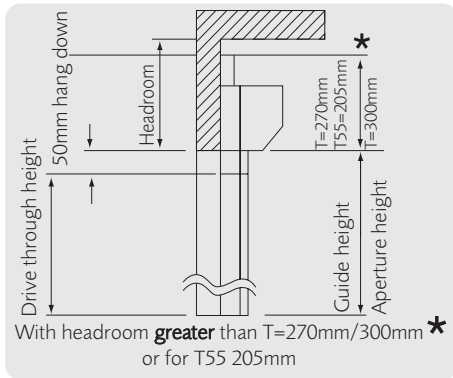
Key: T= Thermaglide
T55= Thermaglide55



NOTES

For this type of installation we strongly recommend that a fascia plate is fitted, this will cover and protect the axle assembly and give added security. Available in various colours and cut to length to suit your installation.

FITTING BEHIND THE APERTURE



SIDE CLEARANCE

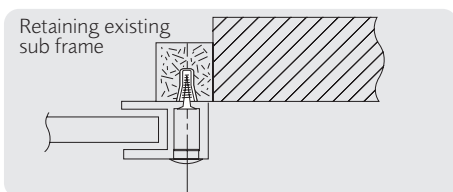
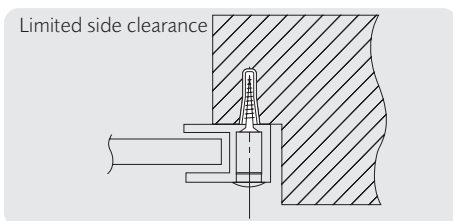
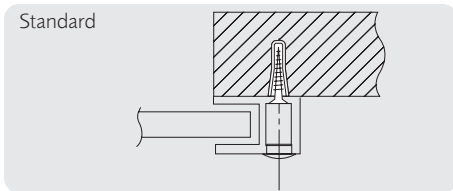
Thermaglide: 70mm or 95mm is required only if the guides are to be fully concealed. (70mm for door sizes up to 9sqm, 95mm for door sizes up to 13.5sqm. and 66mm for all Thermaglide55 doors). A minimum of 40mm is required to give sufficient room for fixing but a portion of the guide tracks will be visible.

* HEADROOM

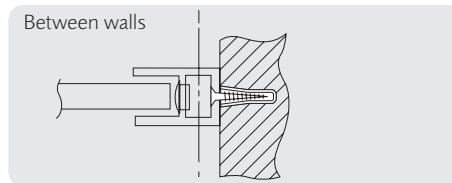
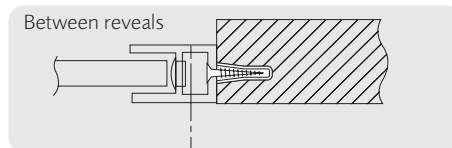
Thermaglide
270mm for door sizes up to 9sqm
300mm for door sizes up to 13.5sqm
Thermaglide 55
205mm for all doors

FIXING OPTIONS

Behind the aperture



Within the aperture



INFORMATION FOR ALL DOORS

All products are sold subject to our standard conditions of sale, which are available on request and include the following:

PRICES

All orders are accepted on the understanding that the goods will be subject to the prices ruling at the time of delivery, unless other terms are specifically agreed. All prices are in £ sterling and exclude carriage and VAT.

PANEL CONFIGURATIONS

The proportions of the door's panel configurations may vary according to the actual size specified.

LOCK HANDLE POSITION

Lock handle position varies according to the design and the lifting gear type. As a general rule, lock handles are located two thirds of the way up SafeLift Trackless Canopy and one third of the way up Slideaway and vertically opening doors.

MADE TO MEASURE DOORS

Doors can be ordered in 1/2" increments.

DOOR DRAWINGS

Single door diagrams shown depict 7'0"x7'0" doors.

Double door diagrams shown depict 14'0"x7'0" doors

SPECIFICATION

The Company reserves the right to make any alterations in design or manufacture without notification as is deemed necessary to ensure continual product development.

This document is intended for use as a price list only. For full product specifications and full details of extended product guarantees, please refer to the Cardale Range Guide or see our home page on the Internet at www.cardale.com.

Alternatively, call us FREE on 0800 581082.

TIMBER DOORS

The Company accepts no liability for natural variations in colour, warping, swelling or shrinkage due to ordinary natural processes of ageing, fading or the effects of weather or climate or shrinkage, warping or swelling which could have been prevented by carrying out finishing and maintenance as recommended by the Company. All doors in the Futura, Heritage and Classic ranges are supplied complete with a two coat factory base coat stain treatment. These doors should be finished with a micro-porous stain, front and back, in accordance with the stain manufacturer's instructions immediately after fitting. Always follow the stain manufacturers guidelines.

Prior to fitting they must not be stored in direct sunlight or exposed to splashes or rain as colour fading and staining may occur respectively.

Fully finished timber doors should be re-stained approximately every four years.

Please note that timber is a beautiful material with naturally occurring colour and grain variations. Please tell us if you require matching pairs as we will do our best to match both doors.

GRP DOORS

GRP by definition, is manufactured from translucent strands of glass. This characteristic may occasionally show itself in translucency of the panel under bright external conditions when viewed from inside with the door closed, but this does not represent a defect in the construction or strength of the door.

Please note that our GRP doors are handcrafted. This may result in shade variations. Please tell us if you require doors to match and we will do our best to achieve as close a door match as possible.

SIDE HINGED DOORS & PERSONNEL DOORS

All doors will be supplied with locking and lock holes unless specified otherwise on order.

THERMAGLIDE

Due to manufacturing processes the bottom lath may vary in colour from the rest of the door. Teak doors are supplied with a solid brown bottom lath. Your door will be Made to Measure to suit the dimensions given.

SECTIONAL

Opening size given on the assumption that doors are fitted behind the reveal. Doors can be fitted within the reveal but care must be taken with ordering size. Doors are not suitable for on site cut down. Preparation and slide cover plate for emergency external unlocking supplied as standard. Woodgrain laminate doors with glazing are supplied with brown window frames. RAL window frames are supplied in white RAL 9016 unless an alternative RAL colour is specified at the time of order.

DELIVERY CHARGES

ALL DOORS

Delivery charges per door:

- 1 Door = £45.00 NET
- 2 Doors = £37.50 NET
- 3 Doors + = *free of charge

Mainland England, Scotland and Wales only.
Northern Ireland, Channel Islands, Isle of Man, and export delivery – charges on application. Carriage charges and VAT to be added to all prices.

PRODUCT APPEARANCE

Garage doors should be inspected upon delivery and viewed in natural daylight (not direct sunlight) from a standard distance of 3 metres to view their overall appearance. From this distance the door panel should appear free from visible marks or distortion, stains, blemishes, indentations or scuffs.

STORAGE

Garage doors should be stored in their original packaging stood upright on flat ground. Avoid placing on stony or uneven surfaces. Doors should always be lifted and not dragged into place. Do not rest doors against each other without first placing protective packaging in between. Install as soon as possible once the goods have arrived on site.

CARE & MAINTENANCE ALL DOORS

Periodically clean the door panel using warm water and a soft cloth or sponge before allowing to dry naturally. Never use detergent, abrasive, caustic or solvent based cleaners as they may damage the door surface. Bird droppings should be removed immediately as these can be particularly caustic.

All doors should be operated and maintained in line with manufacturers instructions - see operating and maintenance instructions supplied with your door. For further copies visit www.cardale.com

CARDALE SERVICE PASSPORT

A Service Passport is supplied with every Cardale door installed. This document contains information on how to look after your door, with a Service Record section of the passport provided to record each time your door receives regular routine servicing.



In the unlikely event of a warranty claim, this document, if kept up to date and used correctly, can help to show that your door has been regularly serviced and properly maintained in accordance with warranty conditions.

CUSTOMER NOTES





Product guarantees Subject to conditions set out below;

- (a) Cardale garage doors are guaranteed against any form of manufacturing defect for a period of **2*years** from the date of original purchase.
- (b) Cardale Doors Limited also guarantee that its garage doors will operate safely and reliably for a period of **10*years** from original installation.
- (c) Cardale electric operators are guaranteed against any form of manufacturing defect for a period of **5 years** for mechanical elements, motors and transformers and for a period of **2 years** for other electronic and radio equipment.
- (d) The Exterior finish is guaranteed to provide an effective weatherproof membrane which will resist perforation of the substrate from the weather side due to corrosion for the periods indicated below. Colour change or fade to the exterior surface will be limited and uniform during the guarantee period.

10 years - Plastisol and Weathergrain Steel, ABS Elite, Steel-line, Thermaglide and Cardeck.

2 years - Fully finished timber doors, GRP, Primed Steel and basecoat treated Timber Doors

1 year - Euro Oak Doors

*Period for Cardeck Sectional Doors is 5 years .

Guarantees are subject to the condition as set out below;

1. During the comprehensive 2 year guarantee period Cardale Doors Limited undertake to repair or replace (at its discretion), and without charge, products or components which have suffered any form of manufacturing defect. Claims must be notified within 3 days from the date of delivery or within a reasonable time after discovery of any defect.
2. Products covered by these guarantees must have been purchased through an authorised Cardale garage door distributor or as original equipment attached to a newly built dwelling.
3. The warranties shall apply for normal use only. Normal use constitutes no more than 5 operations (open/close cycles) per day.
4. The warranties offered attach to the Cardale product only and no consequential damages will apply no matter how caused.
5. No liability will be accepted as a result of normal wear and tear, incorrect storage, incorrect handling, faulty installation, incorrect use or wilful damage.
6. Claims under this guarantee must be made through the original supplier and accompanied by relevant documentation indicating the date of purchase (e.g. receipt).
7. Cardale Doors Limited maximum liability shall be the original purchase price inclusive of Value Added Tax at the rate prevailing when supplied.
8. Any product which is the subject of a claim:
 - i) must have been correctly installed in accordance with the installation instructions supplied and thereafter properly maintained by a suitably experienced engineer on a regular basis as set out in the Maintenance and Operating Instructions provided with every door. (Additional copies of these instructions are available by calling 01280 703022). We recommend that regular maintenance is provided by a suitably experienced engineer. See your Yellow Pages for your local Cardale Garage Door or AGDS specialist.
 - ii) must have the manufacturers reference number still intact (found on the barcode label on the door)
 - iii) must not have been modified in any way.
9. Claims will not be accepted where the cause is due to:
 - i) impact or mechanical damage suffered during or following installation, e.g scratches, indentations, tears, scuffs or other surface abrasion.
 - ii) damage or discolouration caused by contact with any form of caustic, abrasive or corrosive substance, fumes, bird droppings, fire, smoke, floodwater, salts, acids, or from exposure to abnormal atmospheric pollution.
10. This guarantee excludes normal wear and tear on items such as cones, cables, spindles, lock cylinders, hinges or springs.
11. Only Cardale original spare parts must be used when required. The use of non-Cardale parts shall invalidate this guarantee. Warranty period for replacement parts is 6 months or the balance of the original warranty period if greater.
12. The Exterior Finish Guarantee applies only to the weatherside surface and where more than 5% of the surface area of the door is affected. Surfaces must be freely exposed to washing by rainfall and kept clear of accumulated dirt and debris and given equal exposure to local environmental conditions and consistent natural lighting conditions across the face of the door. Special attention is drawn to Clause (9) (ii).
13. Primed steel doors and basecoat treated timber doors must receive a suitable exterior quality finishing topcoat immediately after installation. This topcoat finish must be applied strictly in accordance with the manufacturer's instructions.
14. The guarantee period for electric operators excludes batteries, fuses and light bulbs.
15. Parts replaced free of charge become the property of Cardale Doors Limited.
16. Attempted repairs by non-qualified individuals shall invalidate this guarantee.
17. The specific terms of this guarantee shall only apply to products purchased on or after October 2006 within the UK and Eire.
18. Cardale garage doors and associated products are sold subject to the Cardale Doors Limited Standard Terms and Conditions of Sale, copies of which are available upon request. Cardale Doors Limited shall not be liable as a result of any representation, implied warranty or other term or condition or for any consequential loss or damage, costs, expenses or other claims whatsoever except as expressly set out in these Terms and Conditions of Sale.

A Service Passport is supplied with every Cardale garage door and this document contains useful information on how to look after your door. It also includes a Service Record section in which to record each time your door receives regular routine servicing. This record will be useful in the unlikely event of a claim under this guarantee.

Presented by:



For more information or to request a brochure on any of Cardale's ranges of Garage Doors and accessories, contact:

Cardale Doors Ltd, Farm Road, Buckingham Road Industrial Estate, Brackley, Northamptonshire NN13 7EA

Tel: 0800 581082 Fax: 01280 844564 www.cardale.com



A member of
CARDALE GROUP

Supporting Manufacturer

Cardale reserves the right to alter specifications to design and manufacture without notification. All specifications are correct at time of publication, errors and omissions excepted.