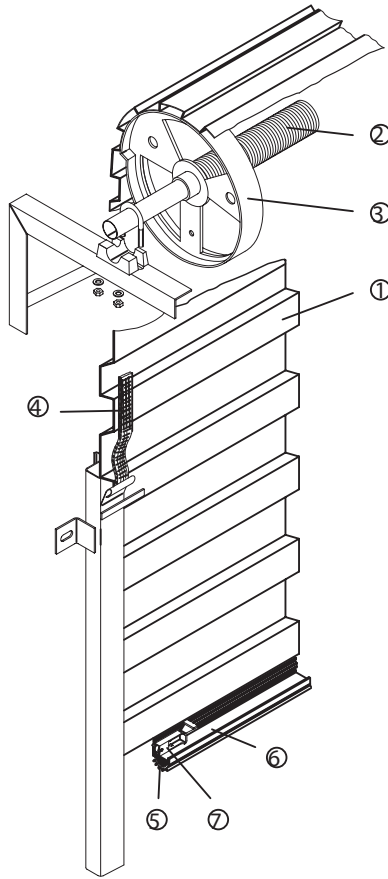


Features:

- 1. Roller Door Curtain
- 2. Spring Assistance
- 3. Drum Wheel
- 4. Polyglide
- 5. Weatherseal
- 6. Bottom Rail
- 7. Door Stop/Roller



GLIDEROL GARAGE DOORS PTY LTD. 1997
 22 JACOBSEN CRESCENT WILLOWHILL 5008
 ALL DIMENSIONS UNLESS NOTED OTHERWISE
 ALL DIMENSIONS UNLESS NOTED OTHERWISE
 ALL DIMENSIONS UNLESS NOTED OTHERWISE
 A.C.N. 007 928 949

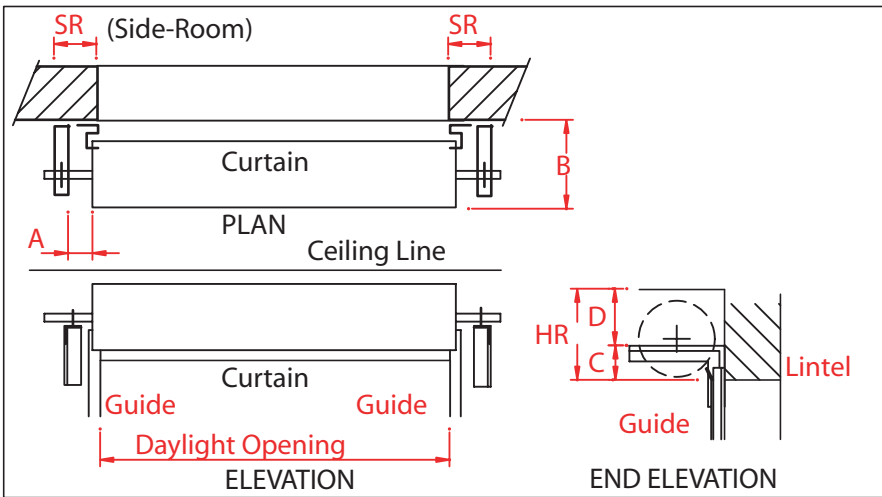
DR					
CR					
DR					
DR					
DATE:		CHANGE:		BY:	
REVISIONS					

TOLERANCES
 UNLESS NOTED
 DECIMAL
 XX = ±0.2
 X = ±0.5
 NB DEC = ±1.0

GLIDEROL GARAGE DOORS

TITLE
 'AA' PANEL DOOR ASSY IN ISOMETRIC VIEW

DATE:	26.05.97	DRAWN BY:	H.L.O
SCALE:	1:4	APPROVED BY:	
SHEET OF:	1 1	DRAWING NO.:	3DAASSY



DIMENSION PANEL (minimum sizes) mm							
SERIES A (Hand Operated)	SR		HR	A	B	C	D
	Resid.A	Resid.AA					
2100 HIGH	90	125	430	25-100	500	150	280
2400 HIGH	90	125	450	25-100	540	160	290
2700 HIGH	90	125	450	25-100	540	160	290
3000 HIGH	90	125	470	25-100	560	170	300
STANDARD CURTAIN WIDTHS							
RESIDENTIAL SERIES A			950,1250,1550,1850,2450,2490,2515, 2650,2750,2800,3050,3100,3430,3710				
RESIDENTIAL SERIES AA			3760,4310,5000,5100				
CURTAIN WIDTH							
RESIDENTIAL SERIES A			DAYLIGHT OPENING PLUS 50mm				
RESIDENTIAL SERIES AA			DAYLIGHT OPENING PLUS 100mm				

THIS DESIGN OR DRAWING IS NOT SOLD BUT LOANED.
 IT REMAINS THE PROPERTY OF GLIDEROL ROLLER
 DOORS PTY.LTD. AND IS SUBJECT TO RECALL. IT MUST
 NOT BE LENT, COPIED OR REPRODUCED IN WHOLE OR
 IN PART WITHOUT PERMISSION IN WRITING.
 COPYRIGHT RESERVED.

UNSPECIFIED TOLERANCES TO BE GIVEN TO
 2 DEC. PLACES +/- 0.2
 1 DEC. PLACES +/- 0.5
 0 DEC. PLACES +/- 1.0

A.C.N. 007 928 949

PROJECT	DOORCL	
DRAWN	D.B.	27.5.97
CHECKED		
APPD.		
SCALES		

 GLIDEROL INTERNATIONAL 95 ROLLER DOOR CLEARANCES	TITLE

GLIDEROL GARAGE DOORS 32 JACOBSEN CRES. HOLDEN HILL 5088		
DRAWING NO.	G0307	