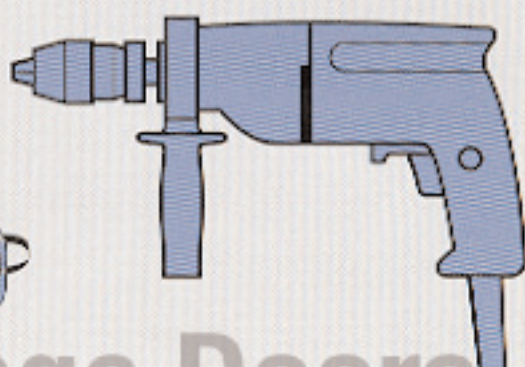
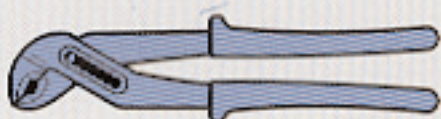


Ø 10  
Ø 5



# Arridge Garage Doors

A



B



C

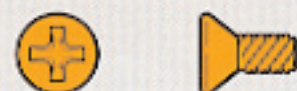


D



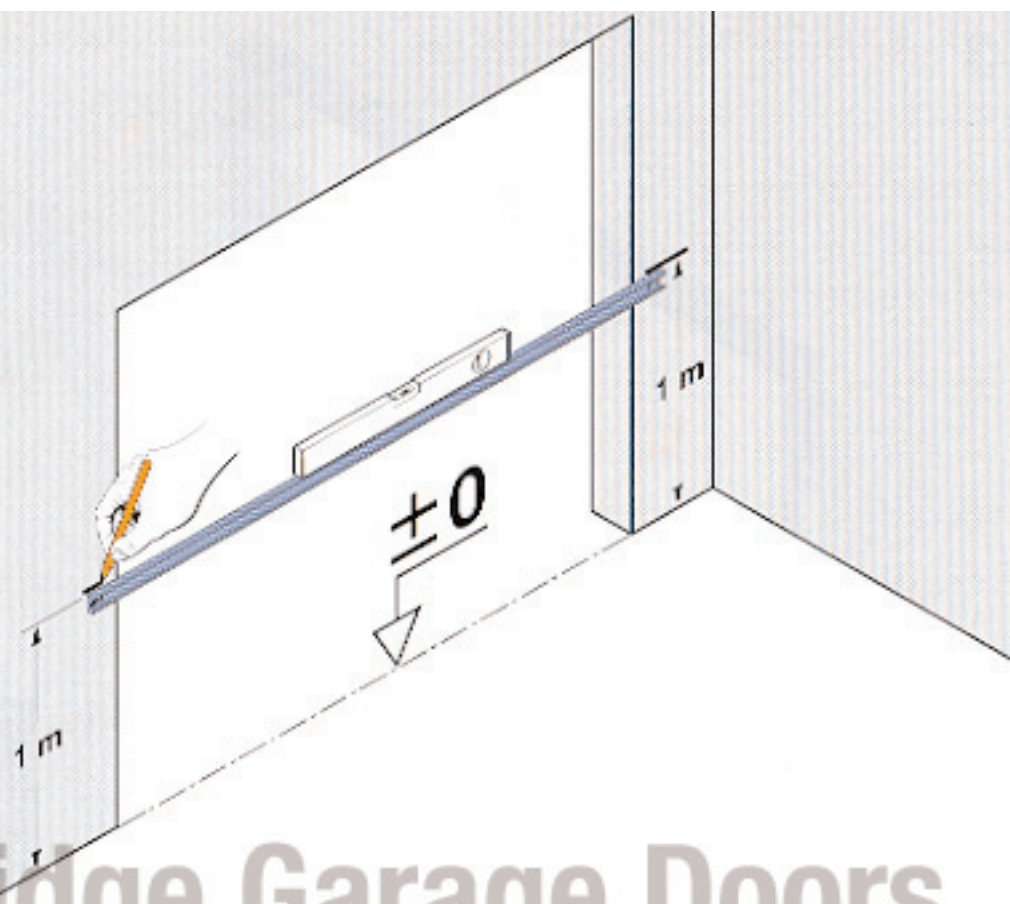
F

E

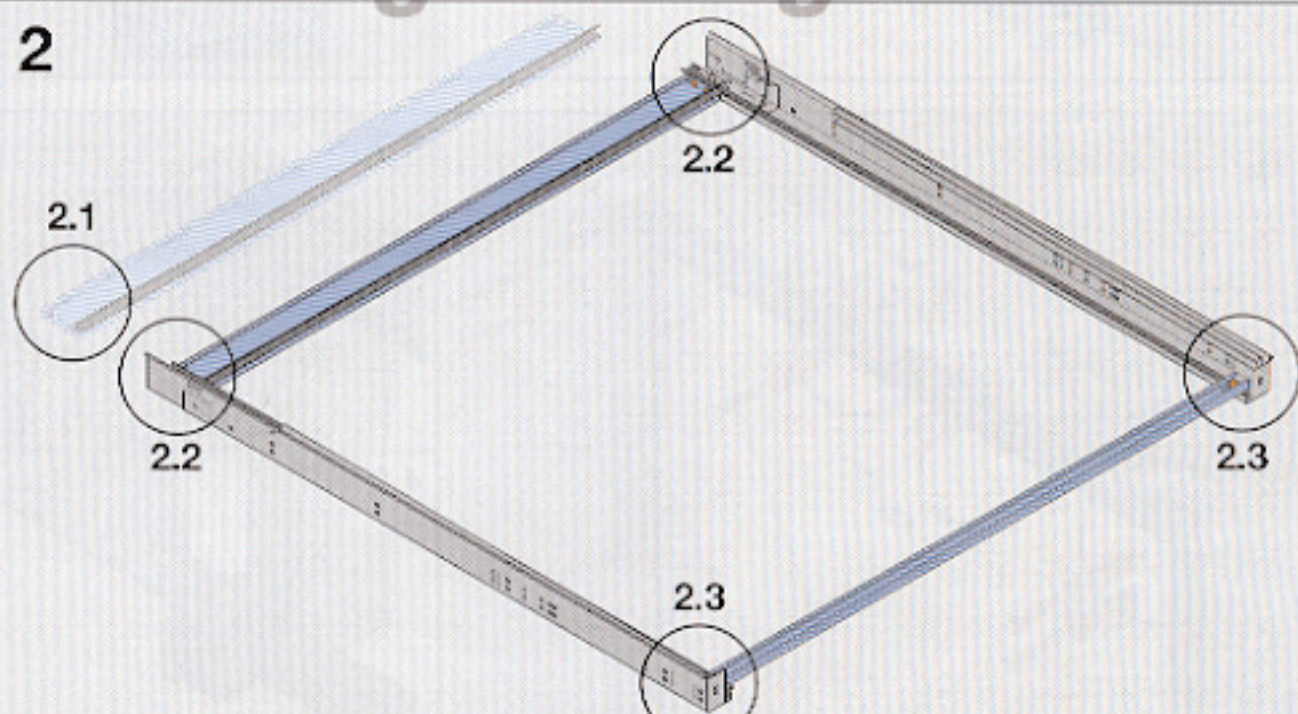
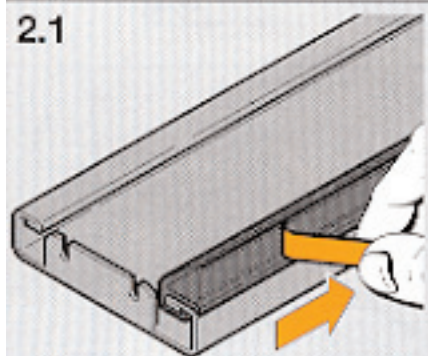
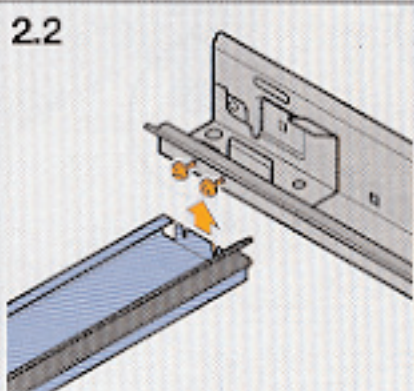
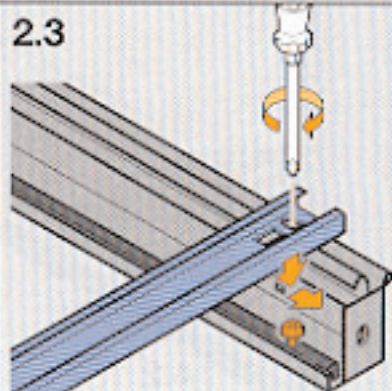


G

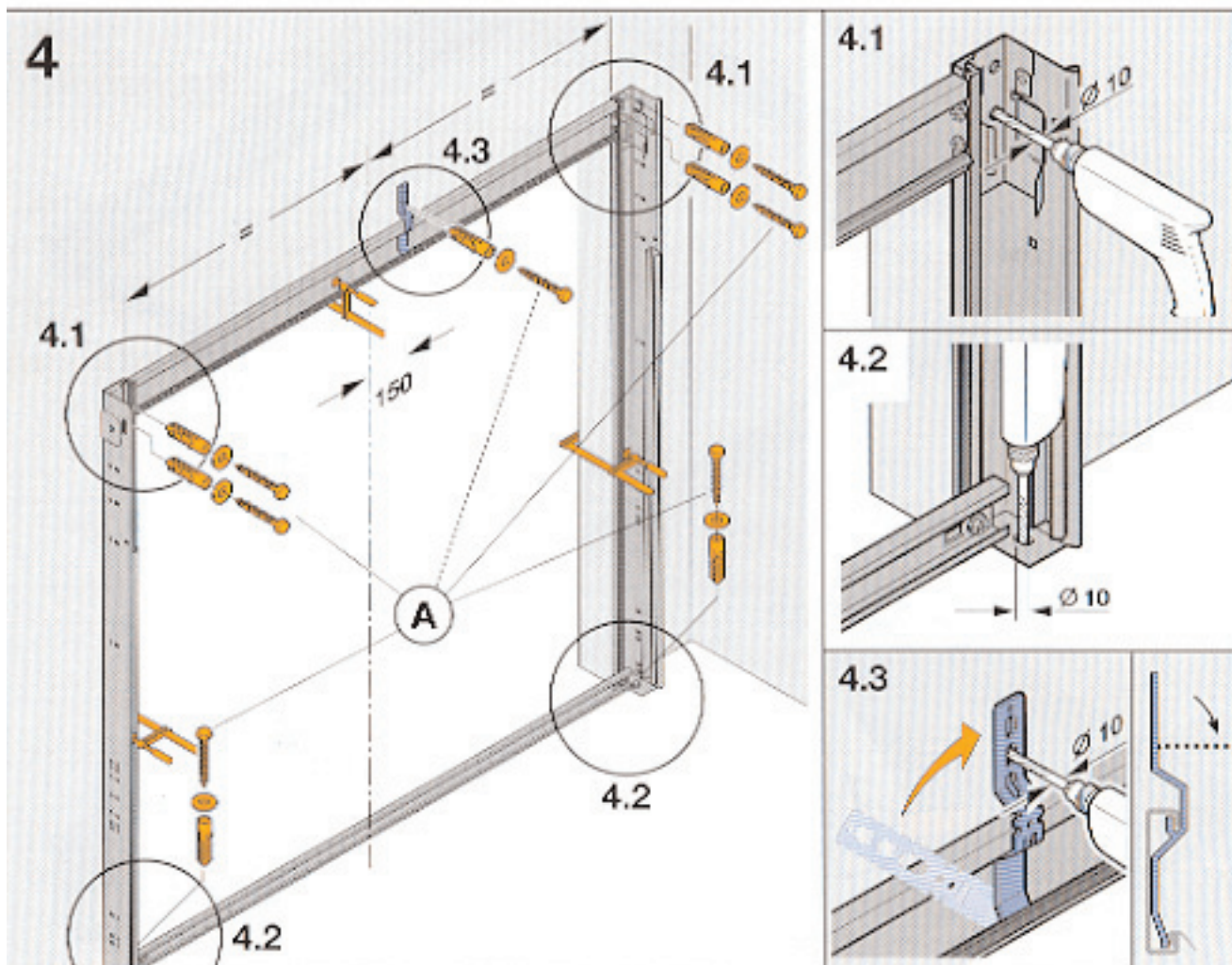
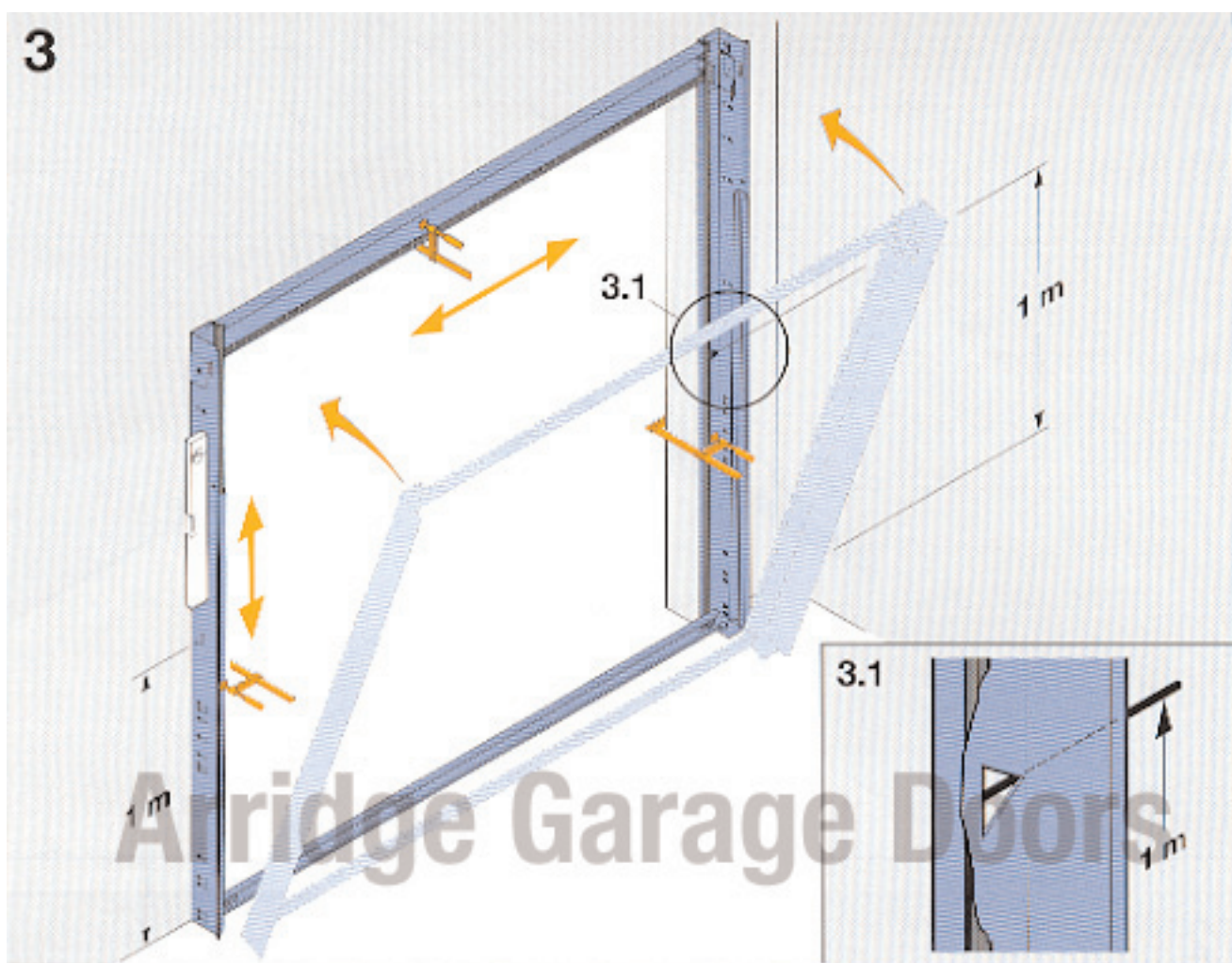


**1**

# Arridge Garage Doors

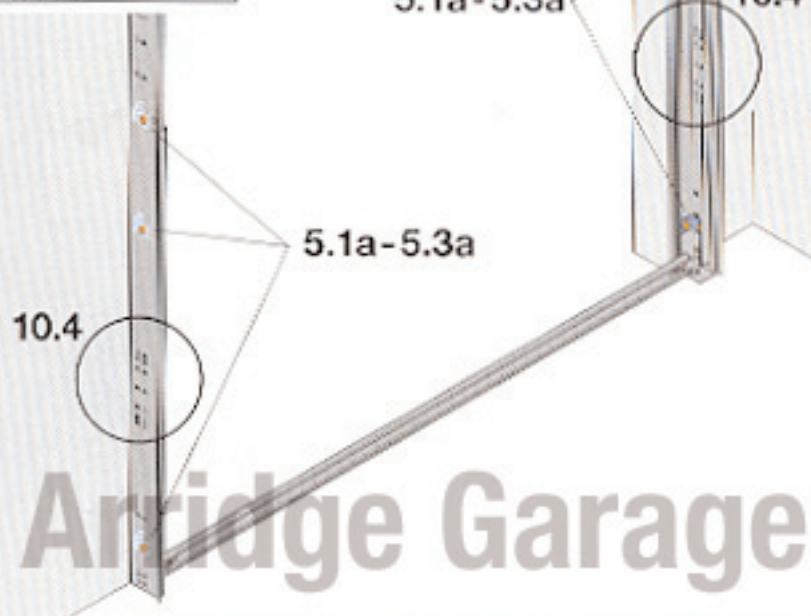
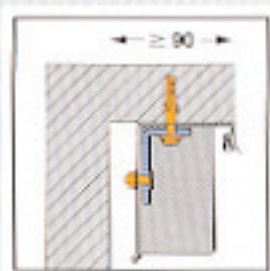
**2****2.1****2.2****2.3**



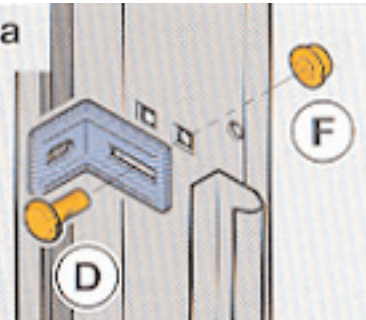




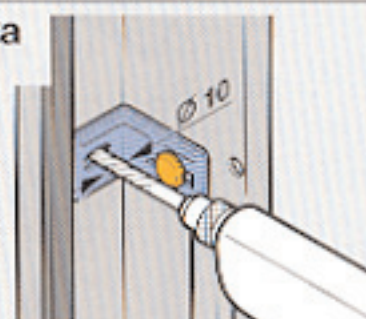
5a



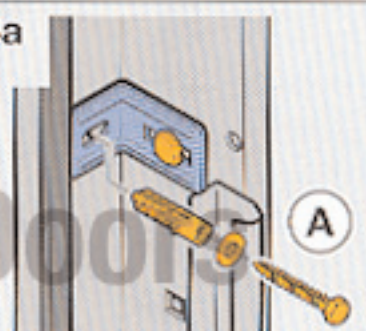
5.1a



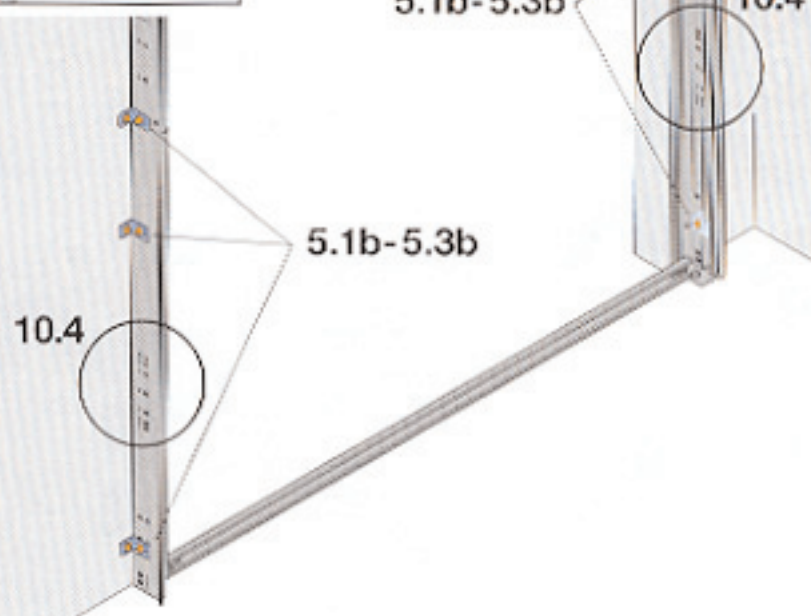
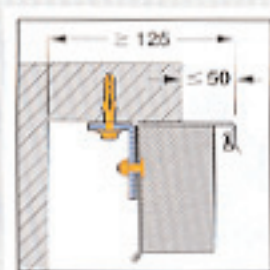
5.2a



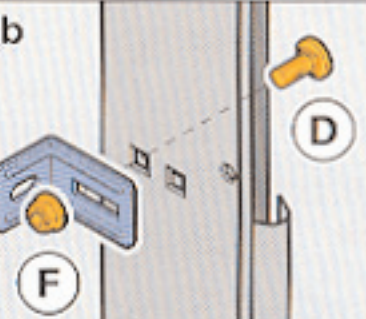
5.3a



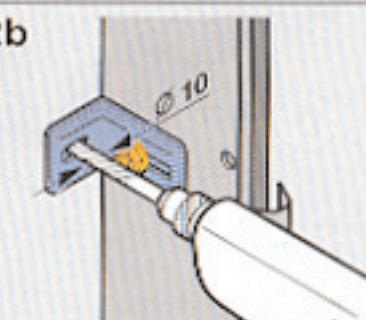
5b



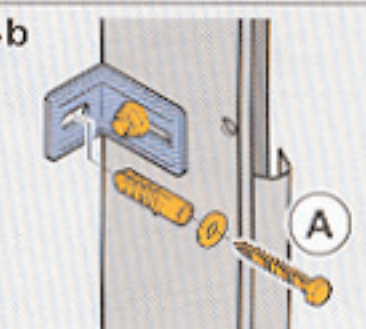
5.1b



5.2b



5.3b

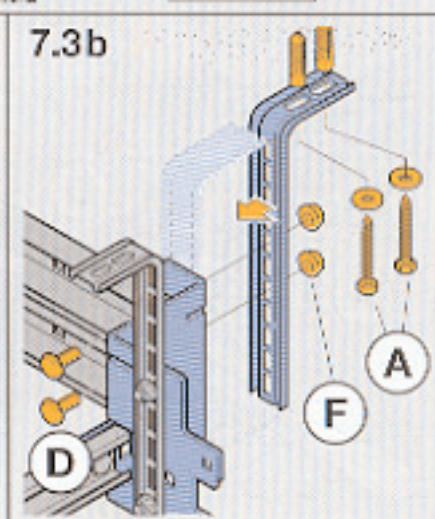
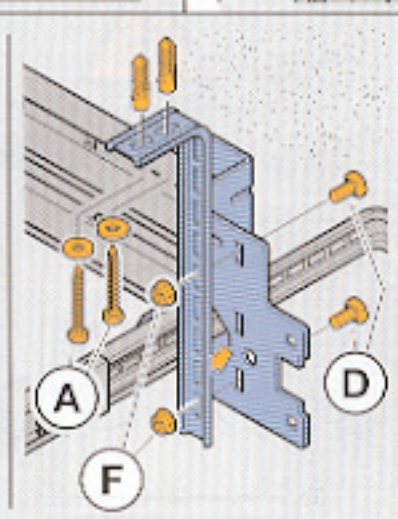
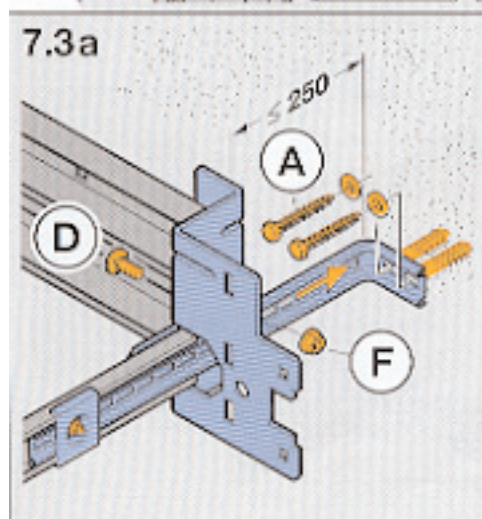
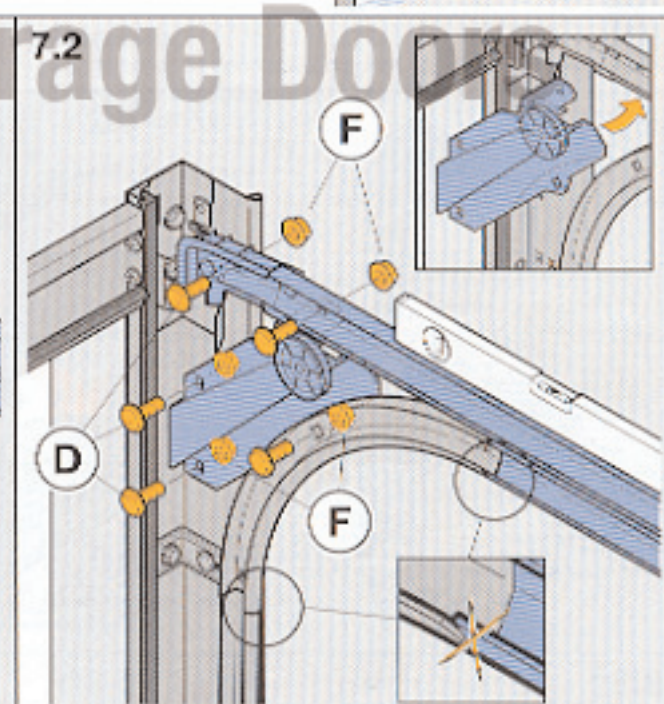
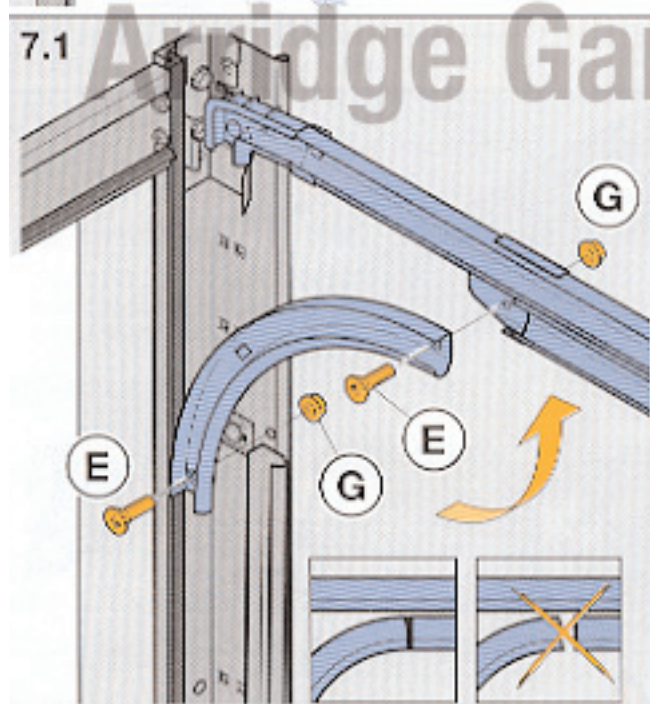
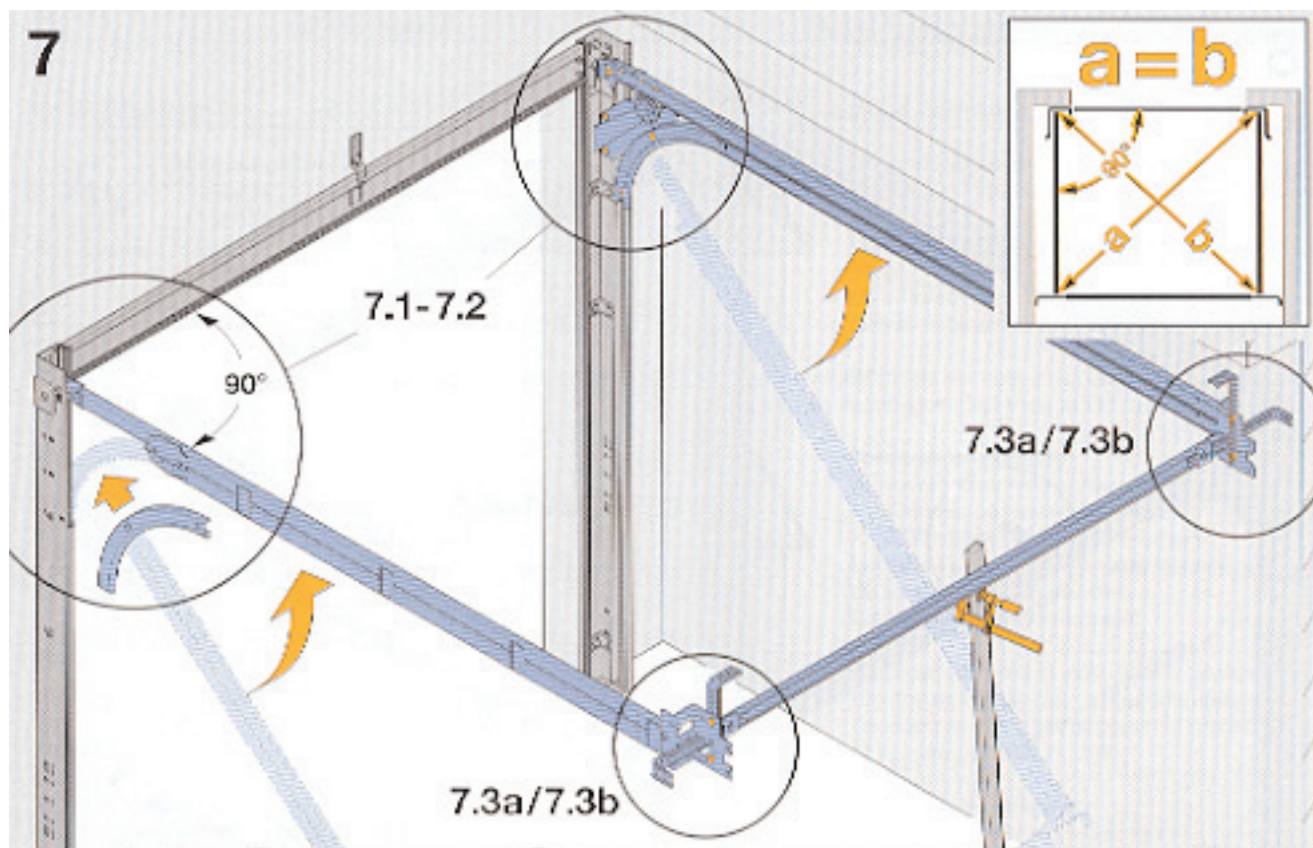


Arridge Garage Doors



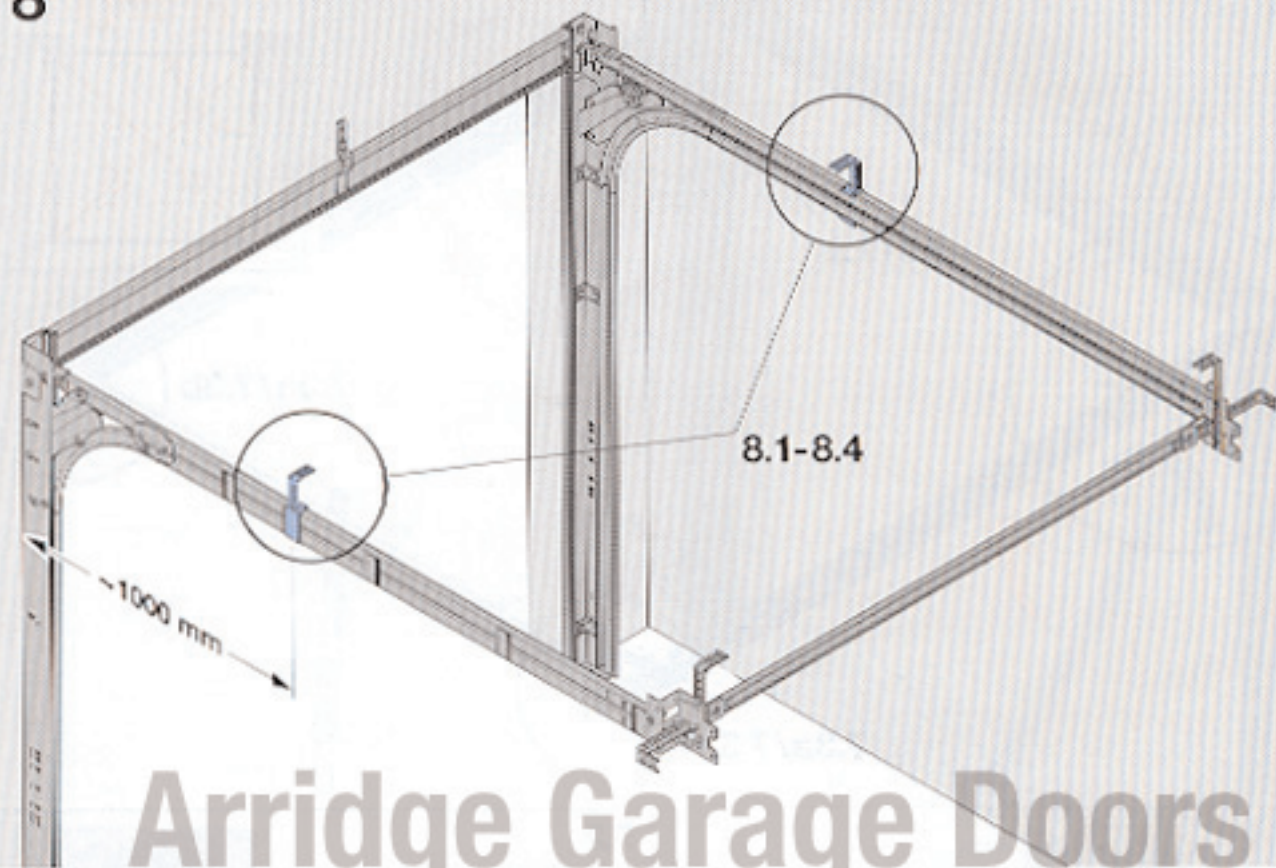








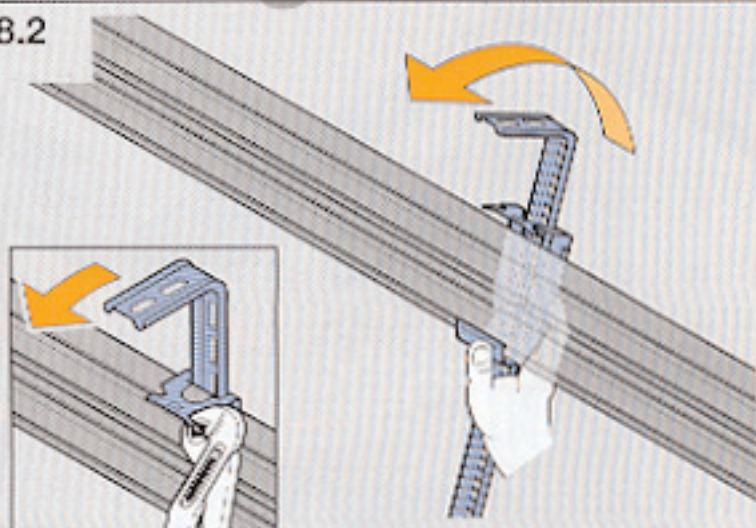
8



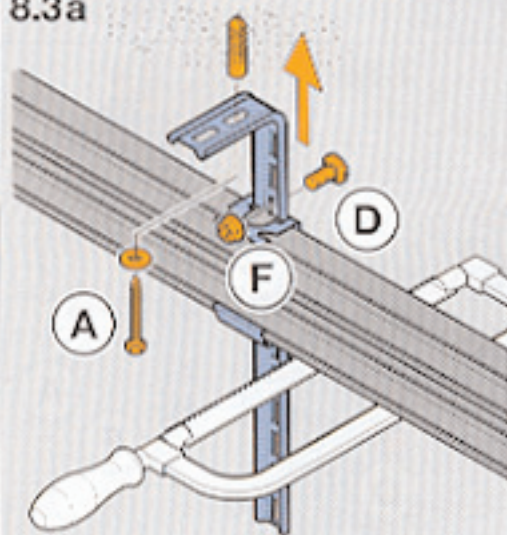
8.1



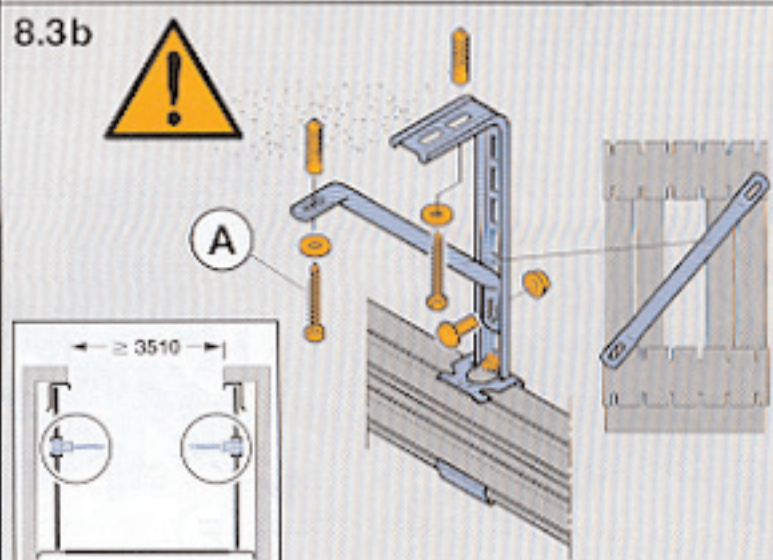
8.2



8.3a

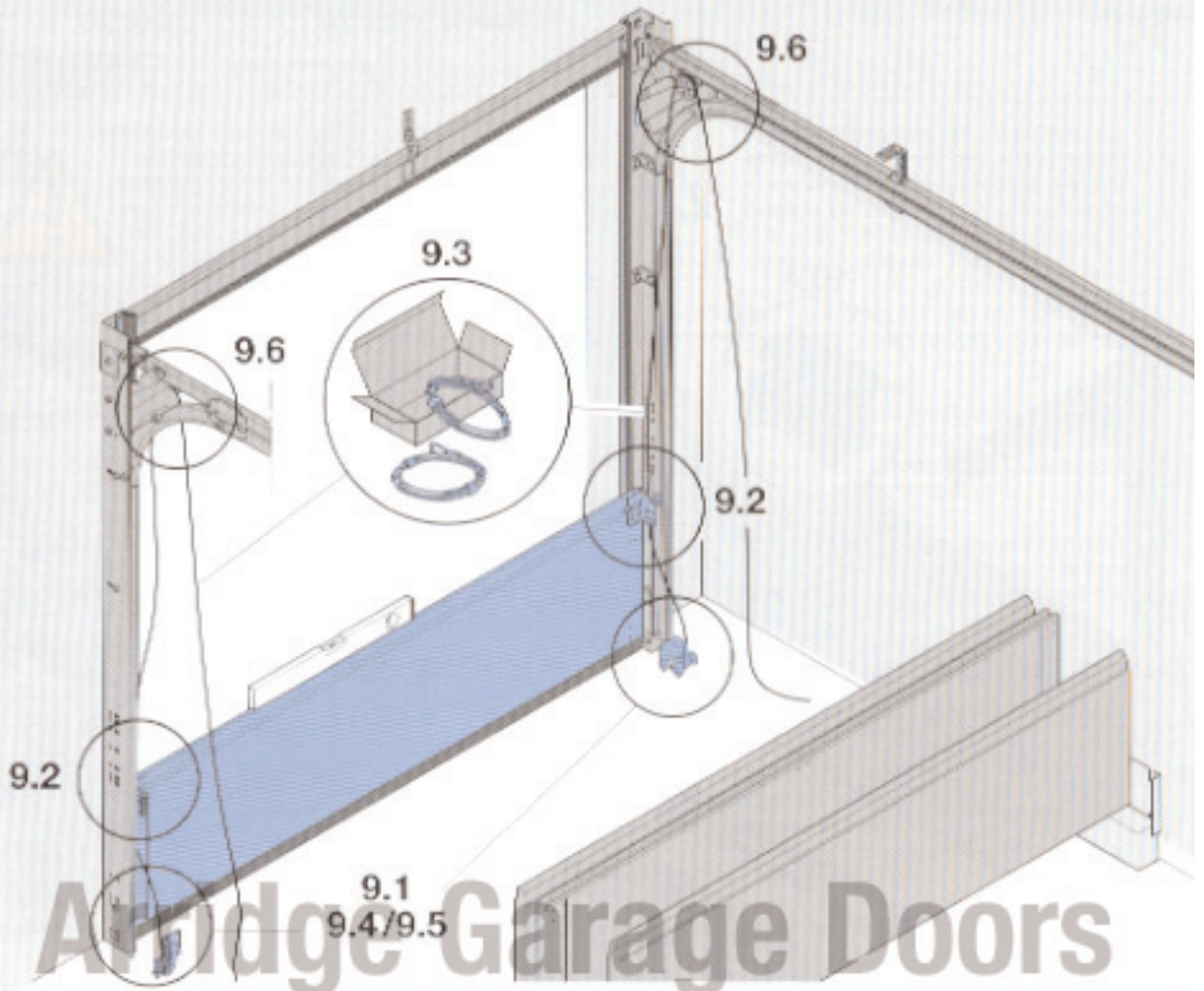


8.3b

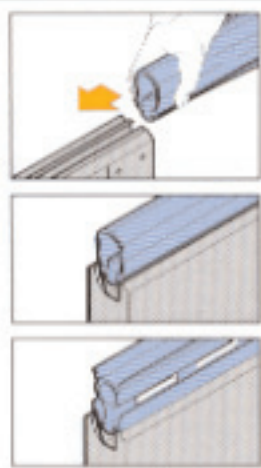
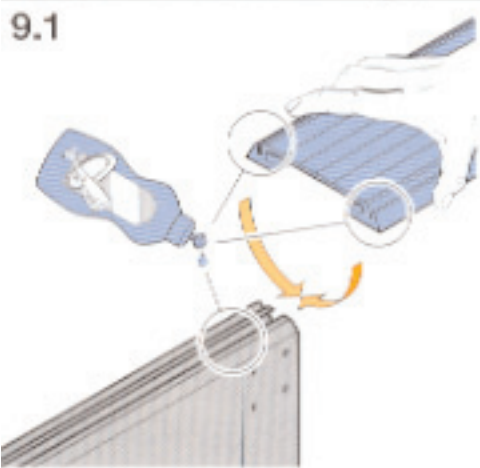




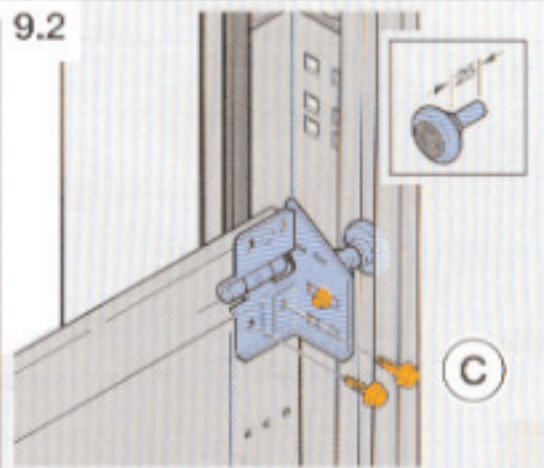
9



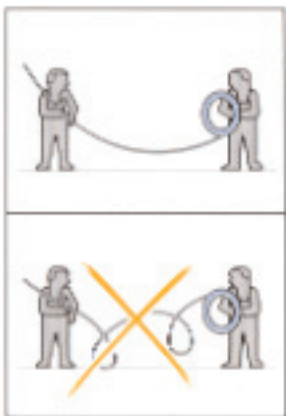
9.1



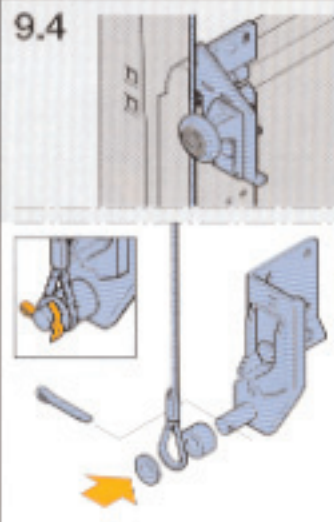
9.2



9.3



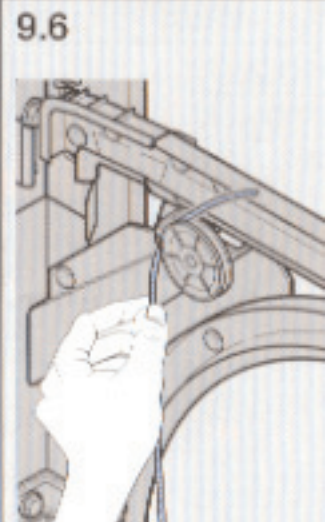
9.4



9.5

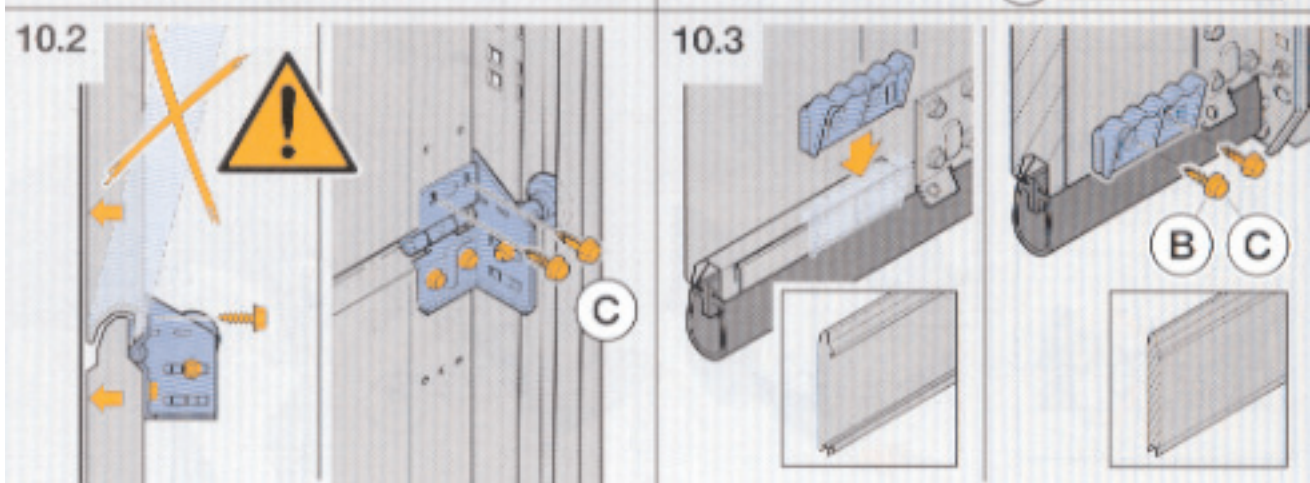
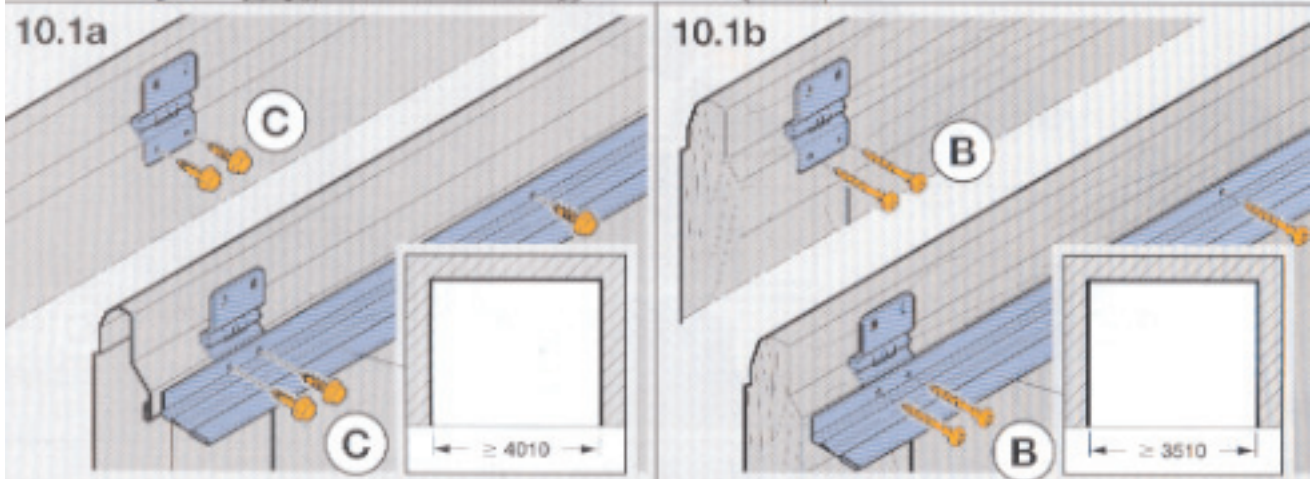
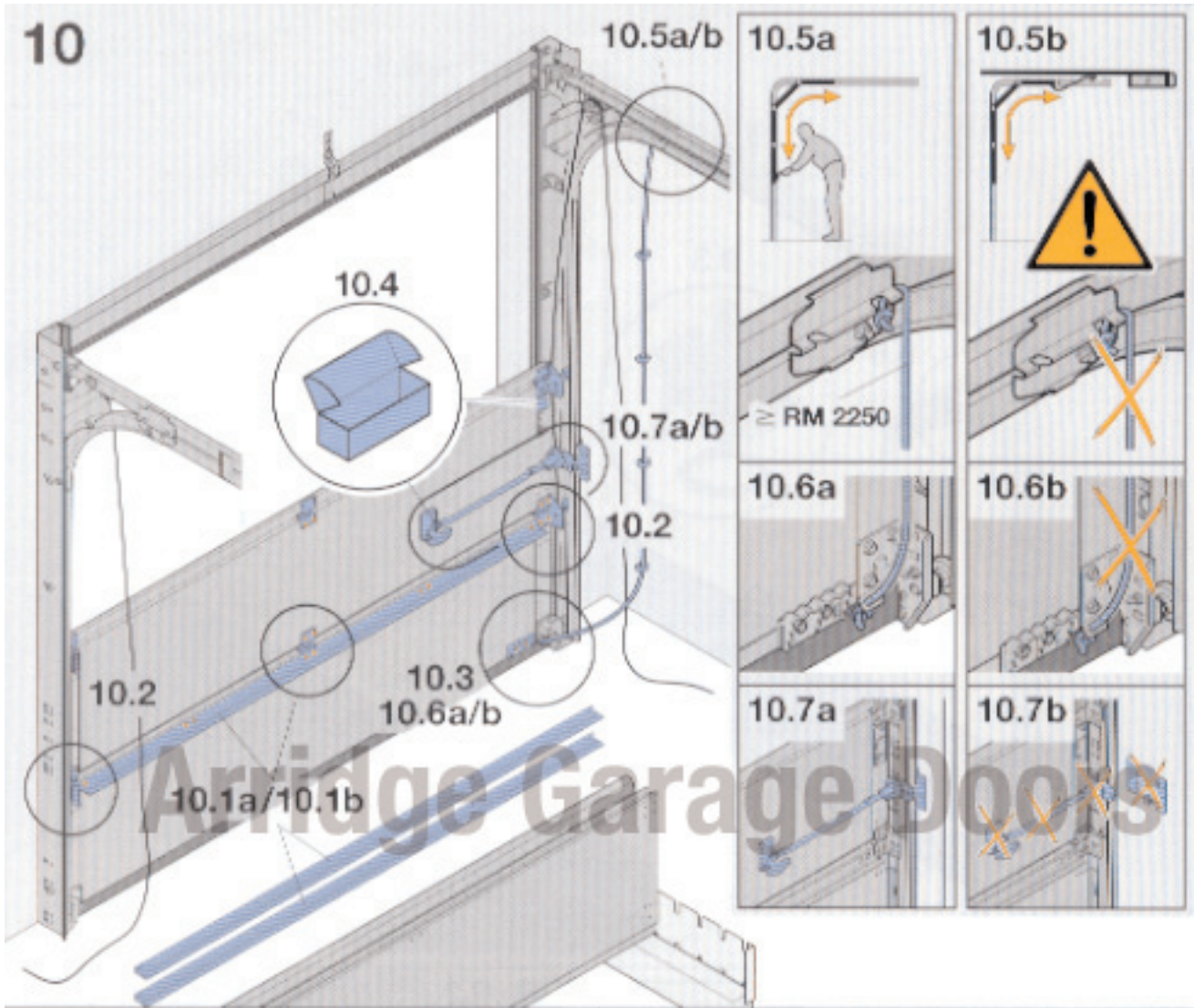


9.6





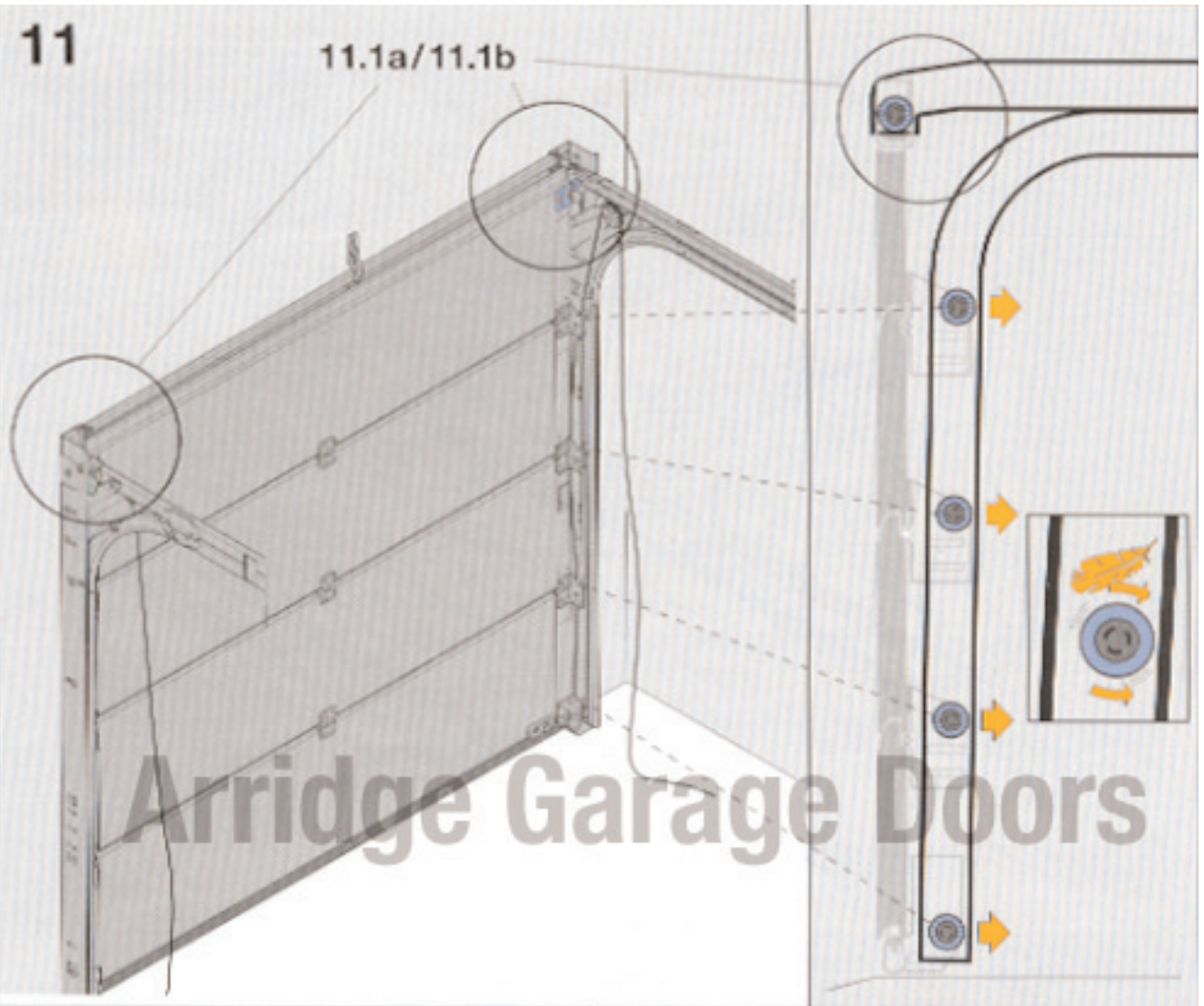
10





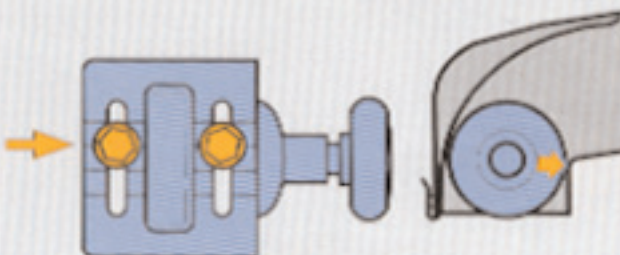
11

11.1a/11.1b



# Arridge Garage Doors

11.1a



11.1b

