

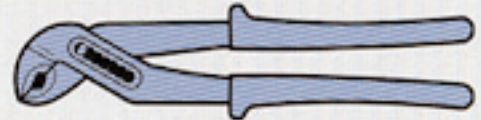
13



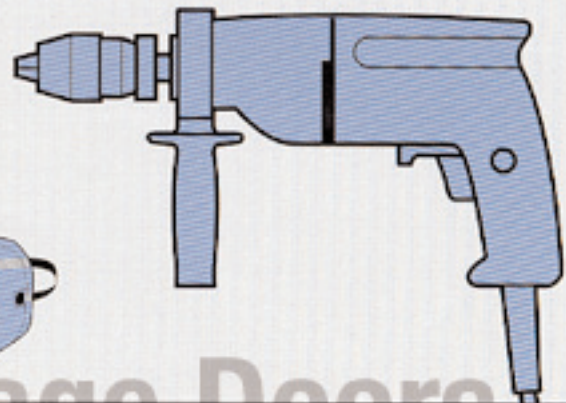
10



2



Ø 10



Ø 5



Arridge Garage Doors

A



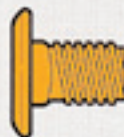
B



C



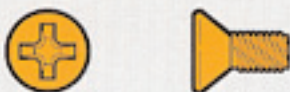
D



F



E

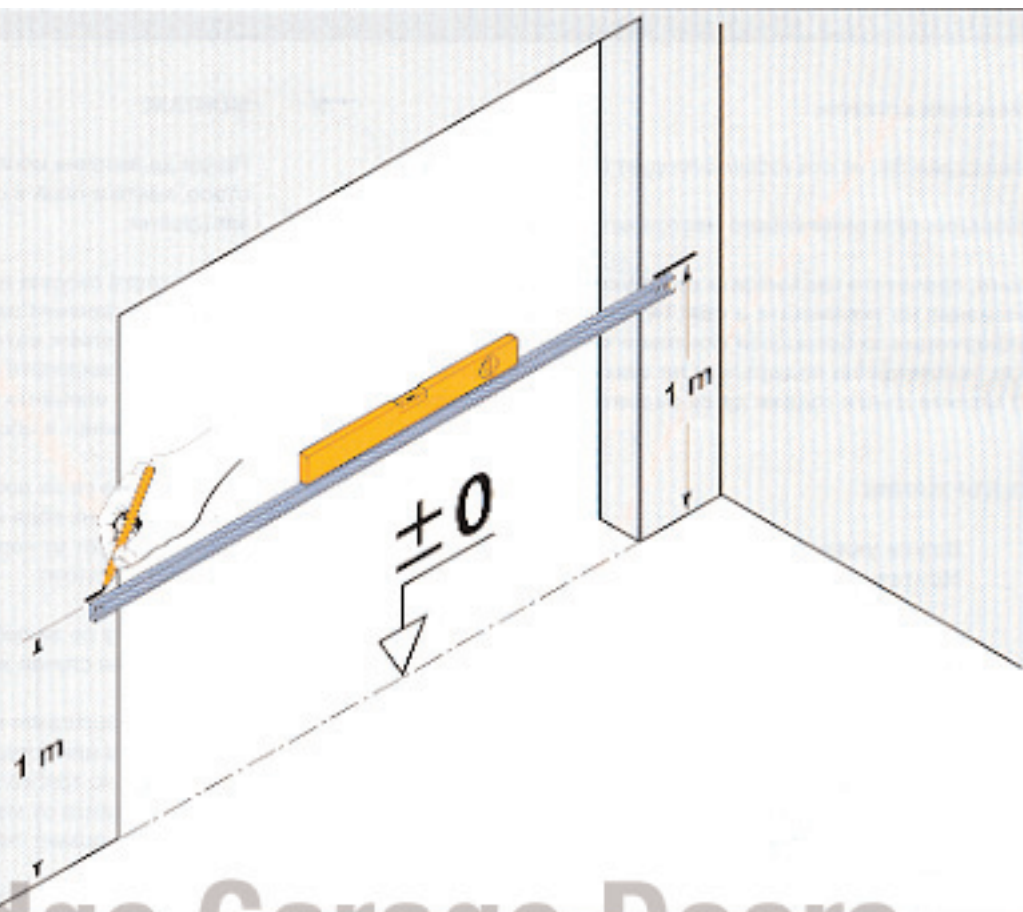


G

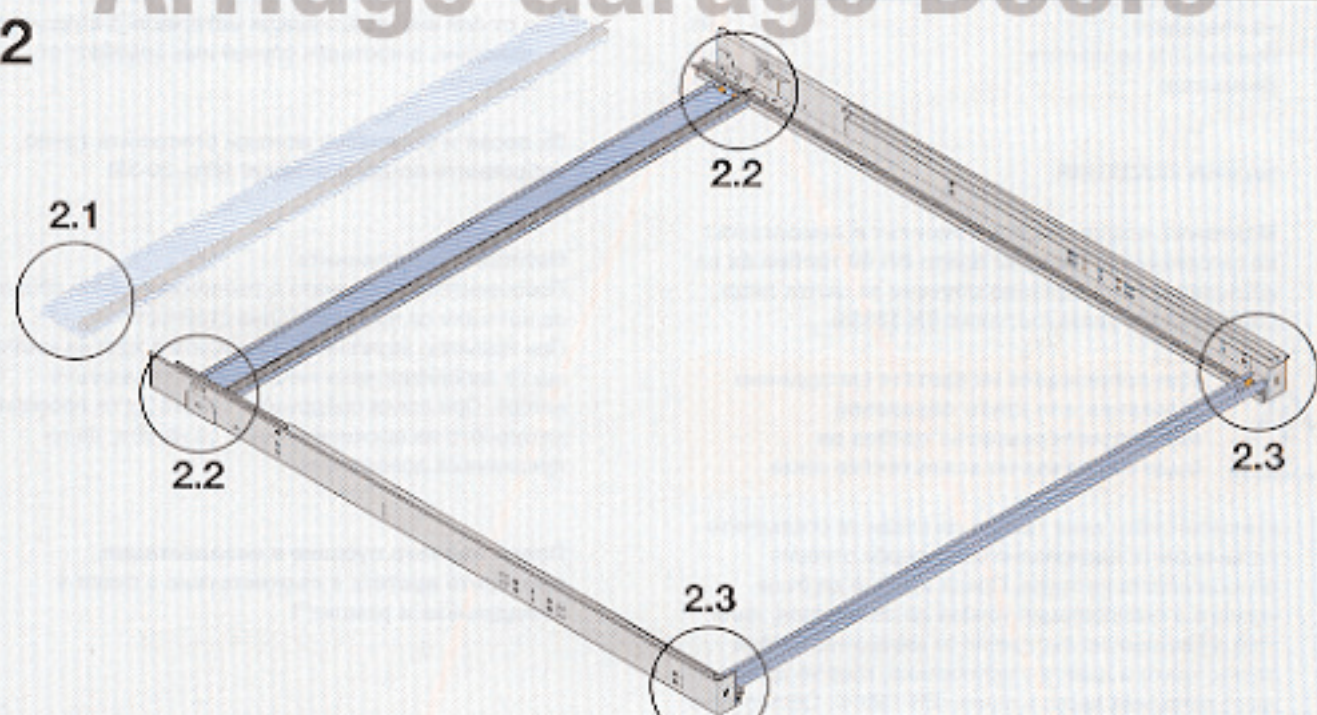
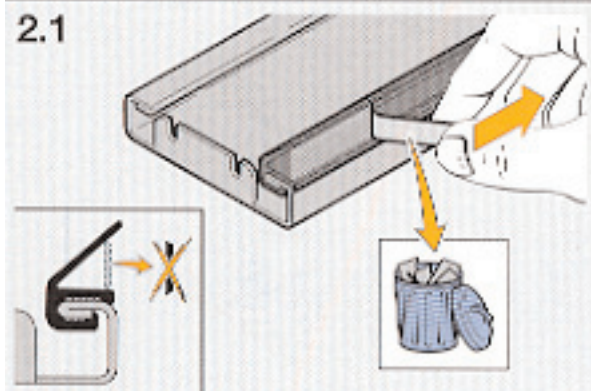
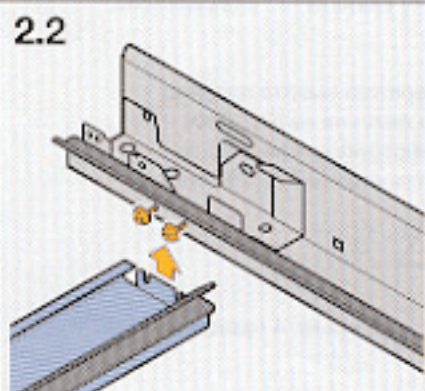
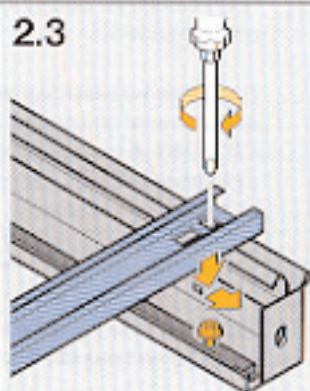


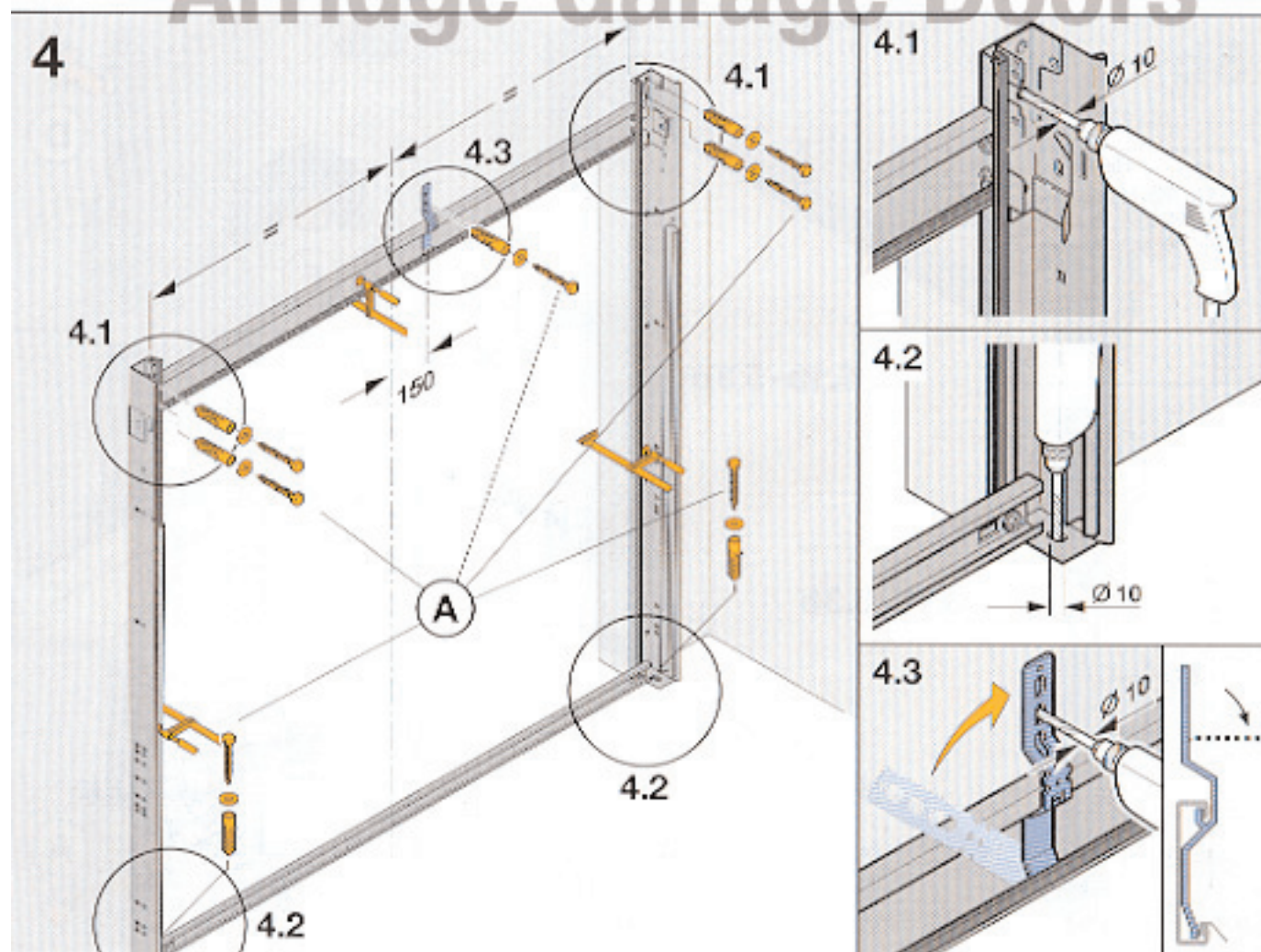
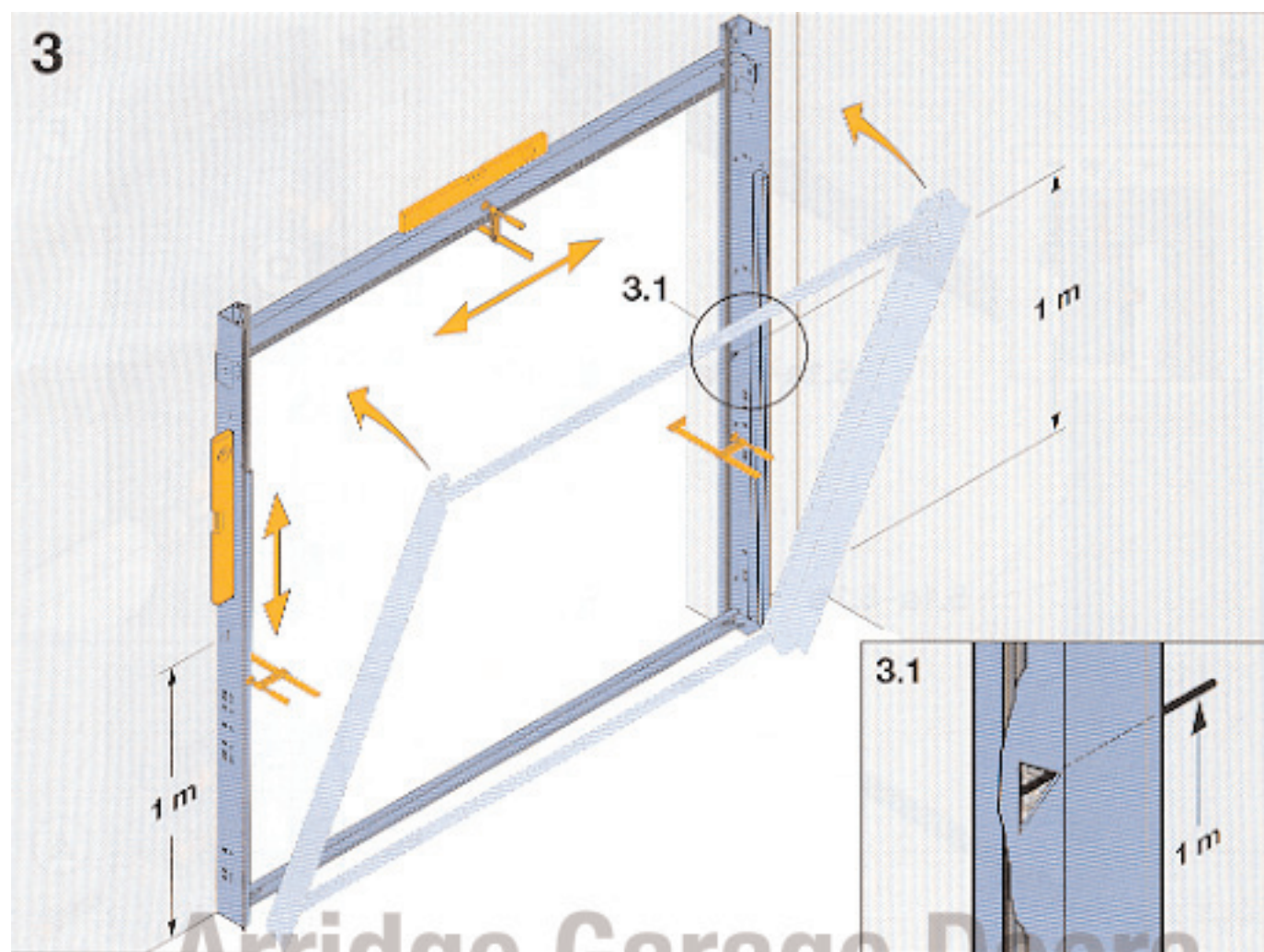
J



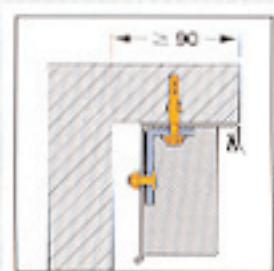
1

Arridge Garage Doors

2**2.1****2.2****2.3**



5a



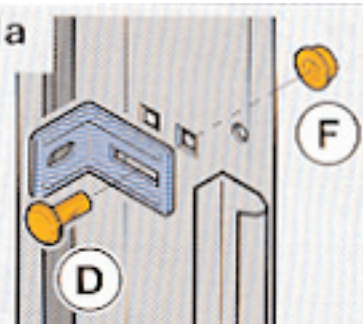
11.4

5.1a-5.3a

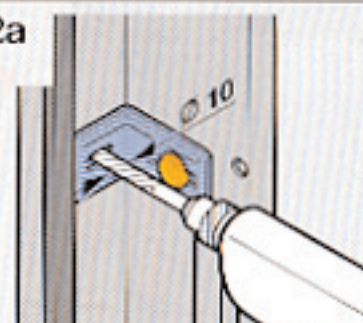
11.4

5.1a-5.3a

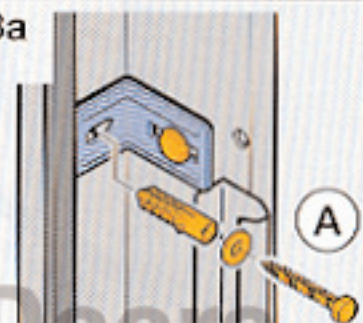
5.1a



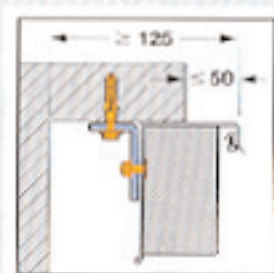
5.2a



5.3a



5b



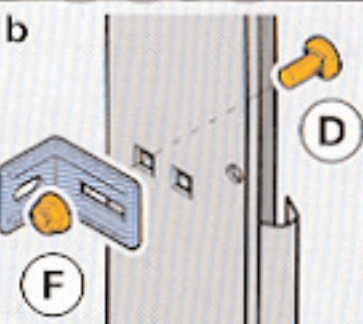
11.4

5.1b-5.3b

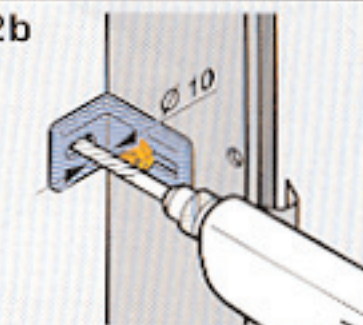
11.4

5.1b-5.3b

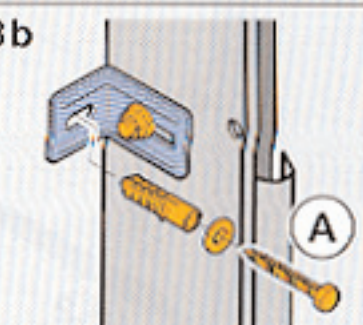
5.1b



5.2b

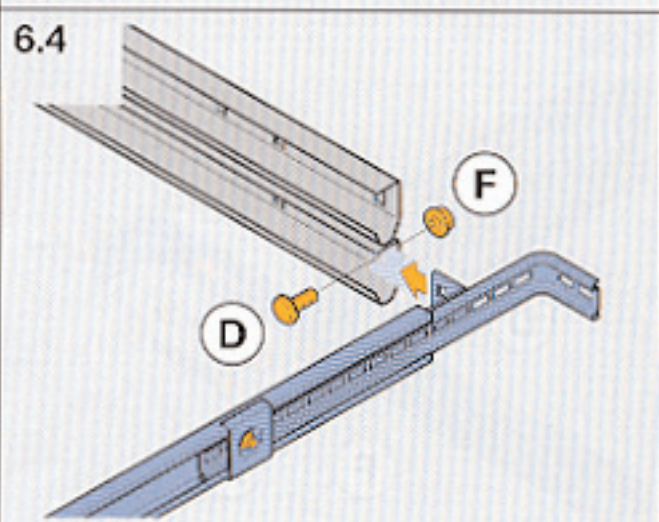
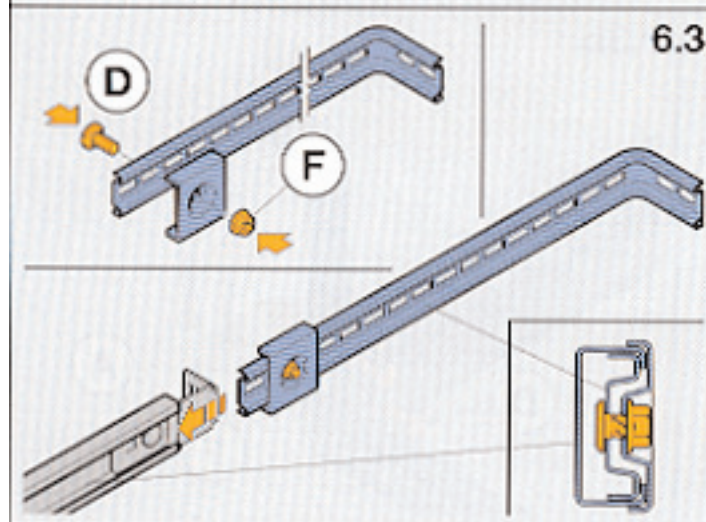
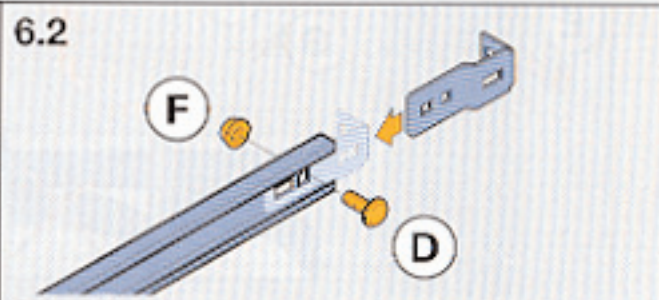
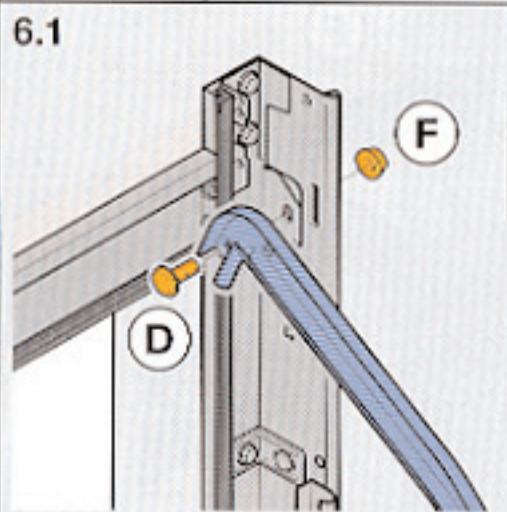
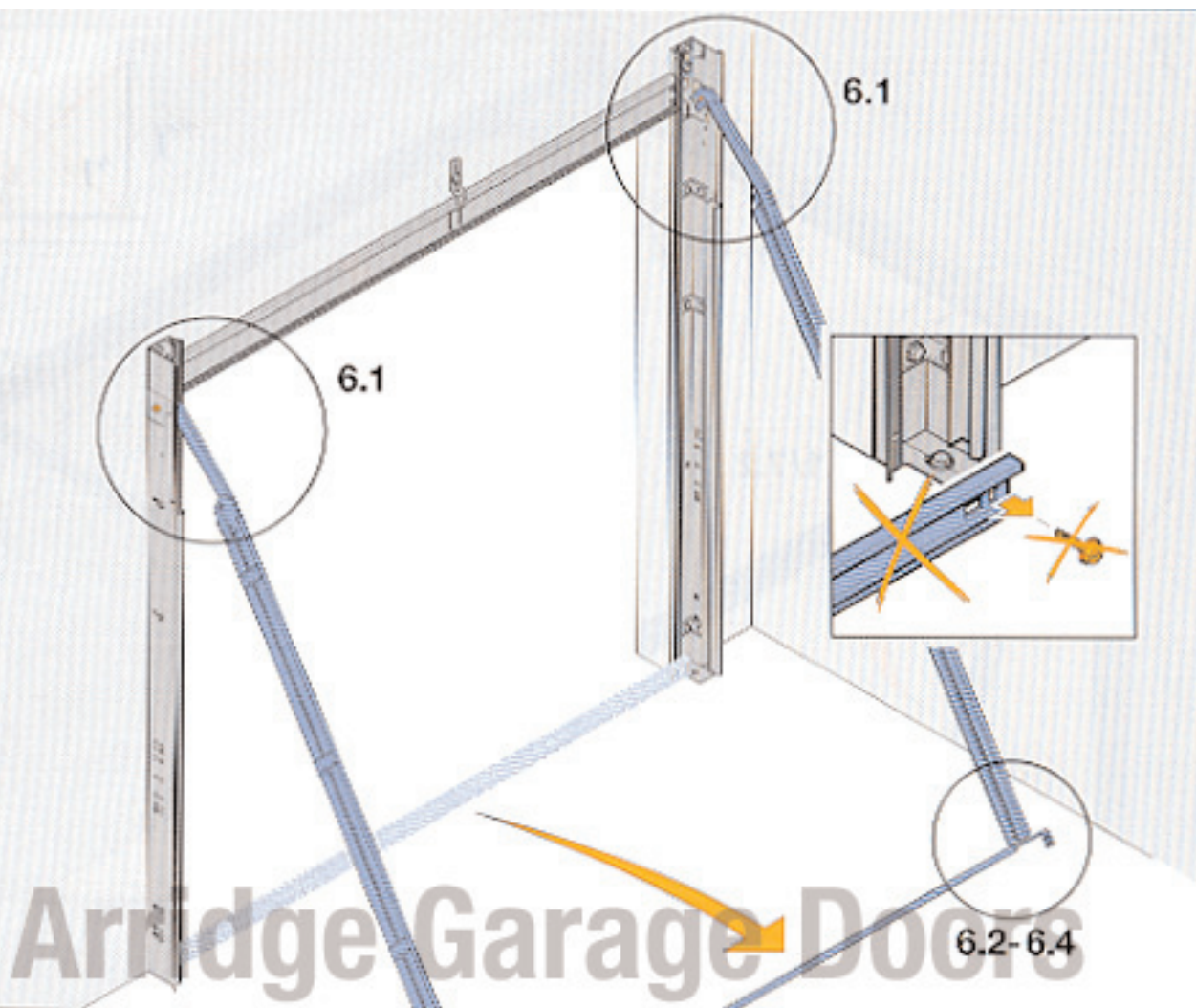


5.3b



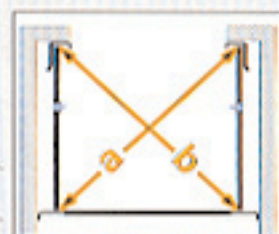
Arridge Garage Doors

6



7

a=b



7.1/7.2

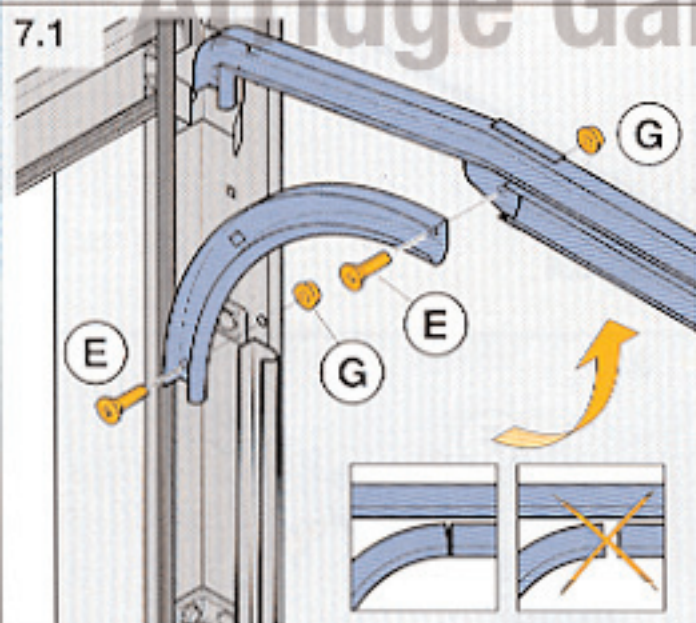
7.1/7.2

7.3

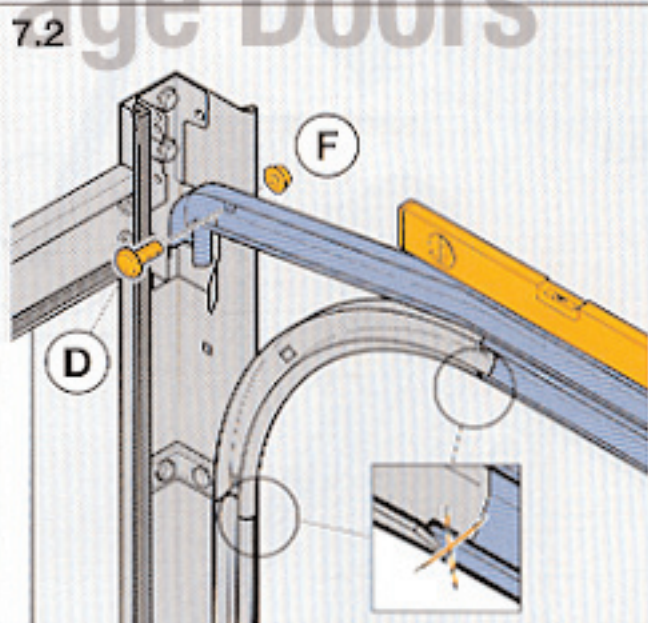
7.3

Arridge Garage Doors

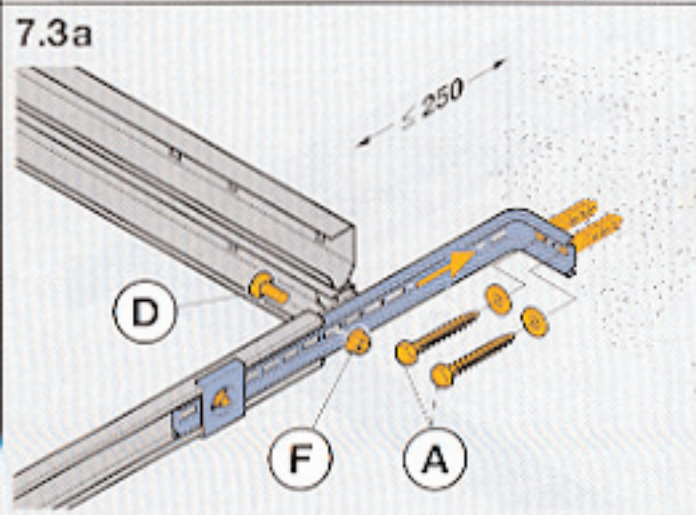
7.1



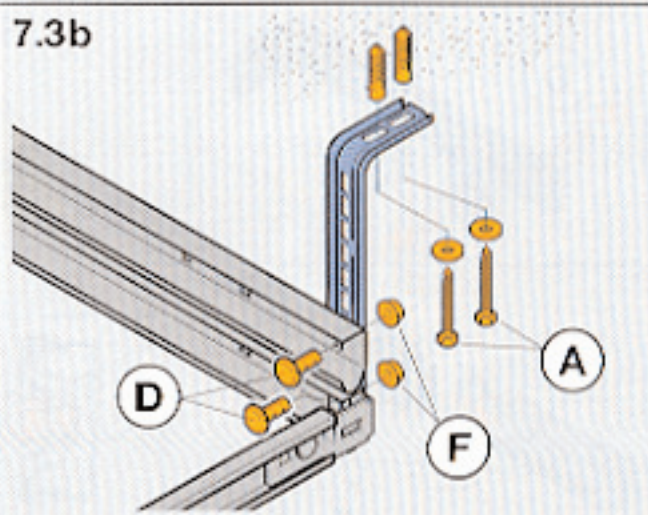
7.2



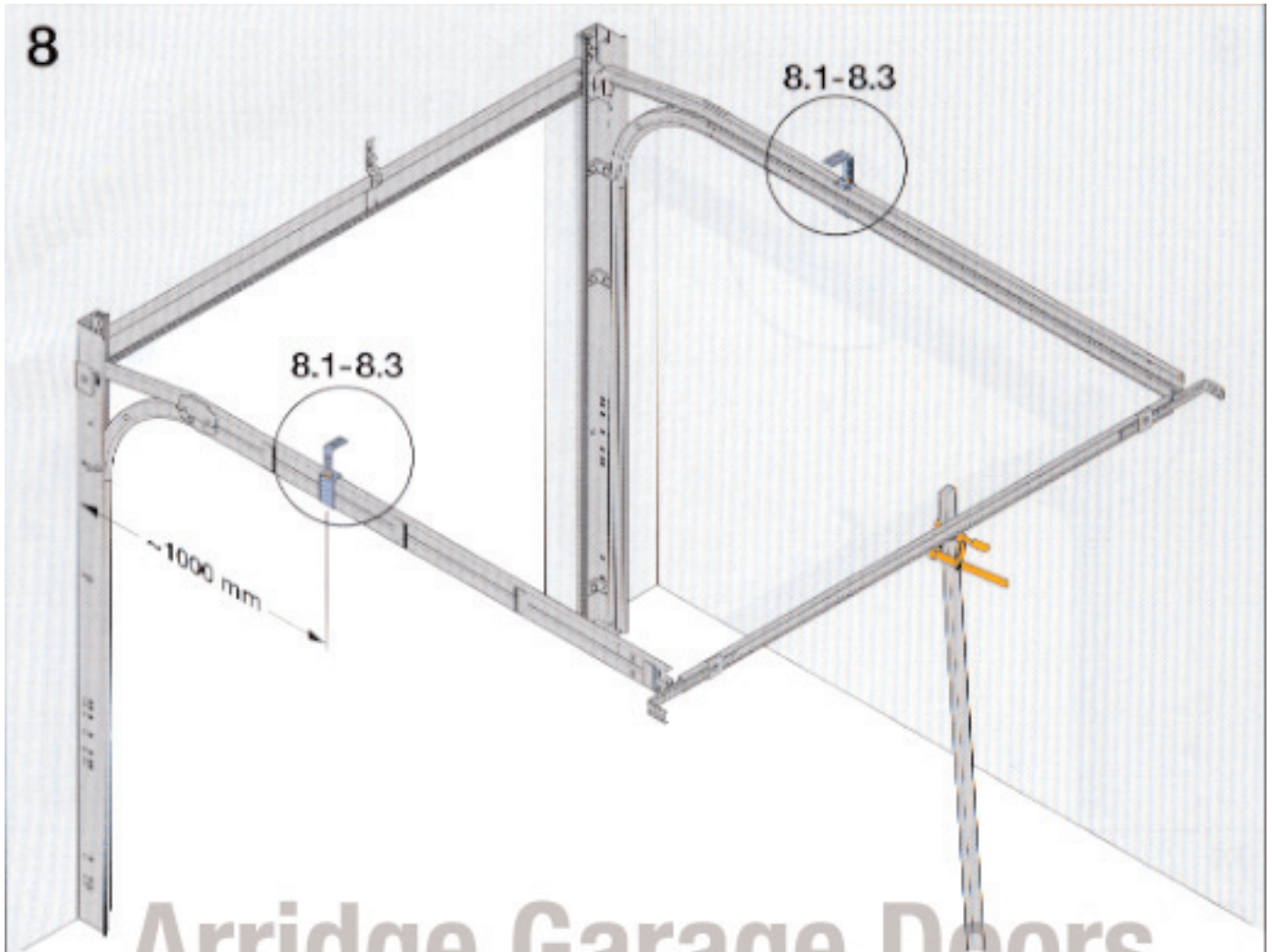
7.3a



7.3b



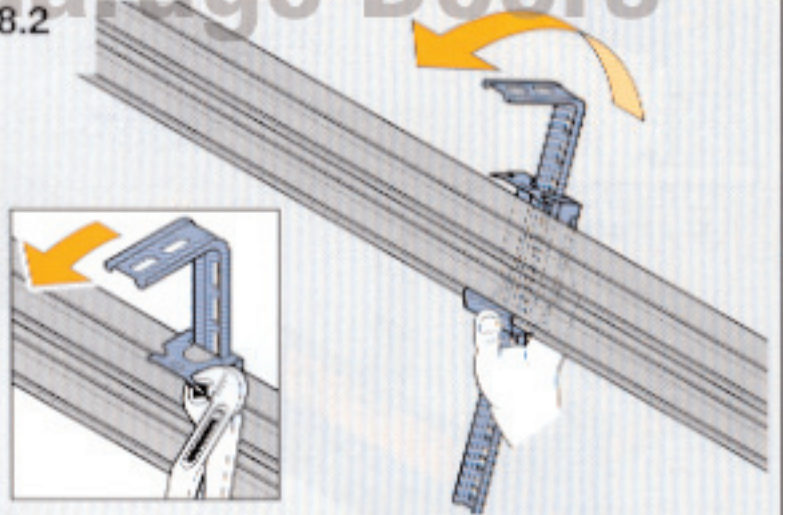
8



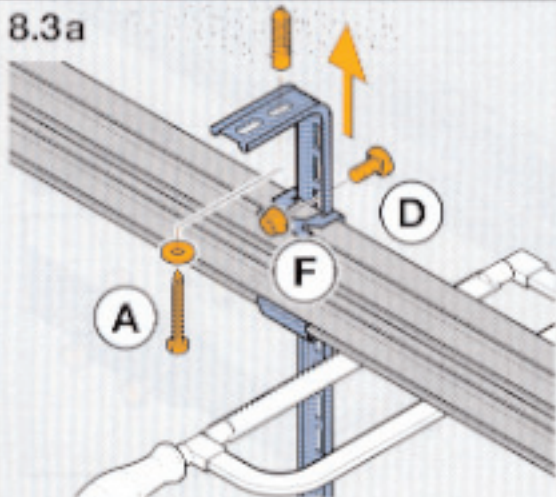
8.1



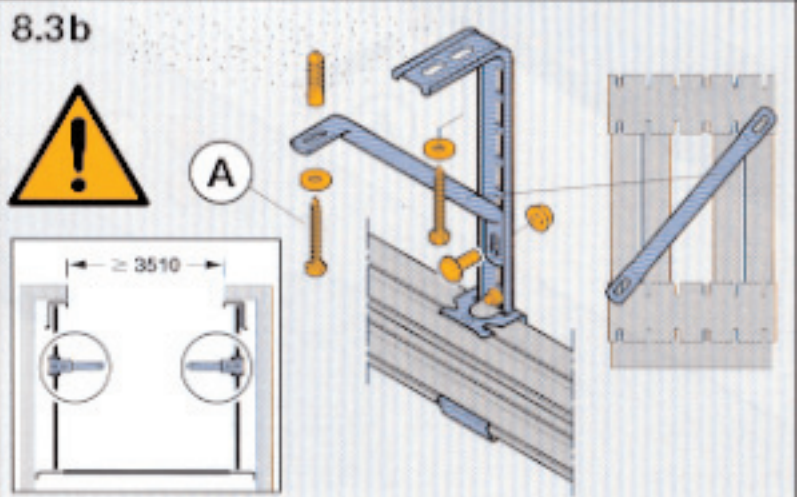
8.2



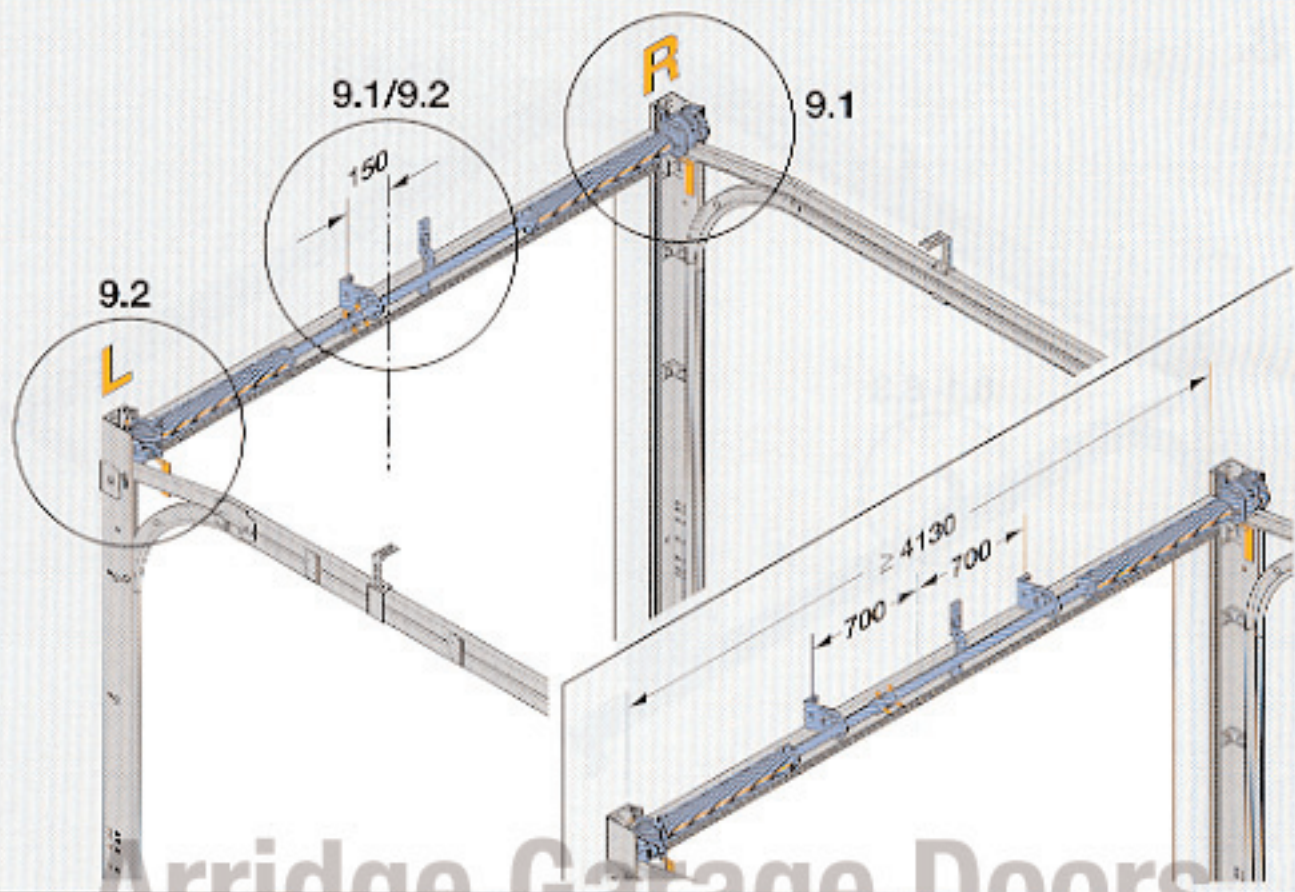
8.3a



8.3b

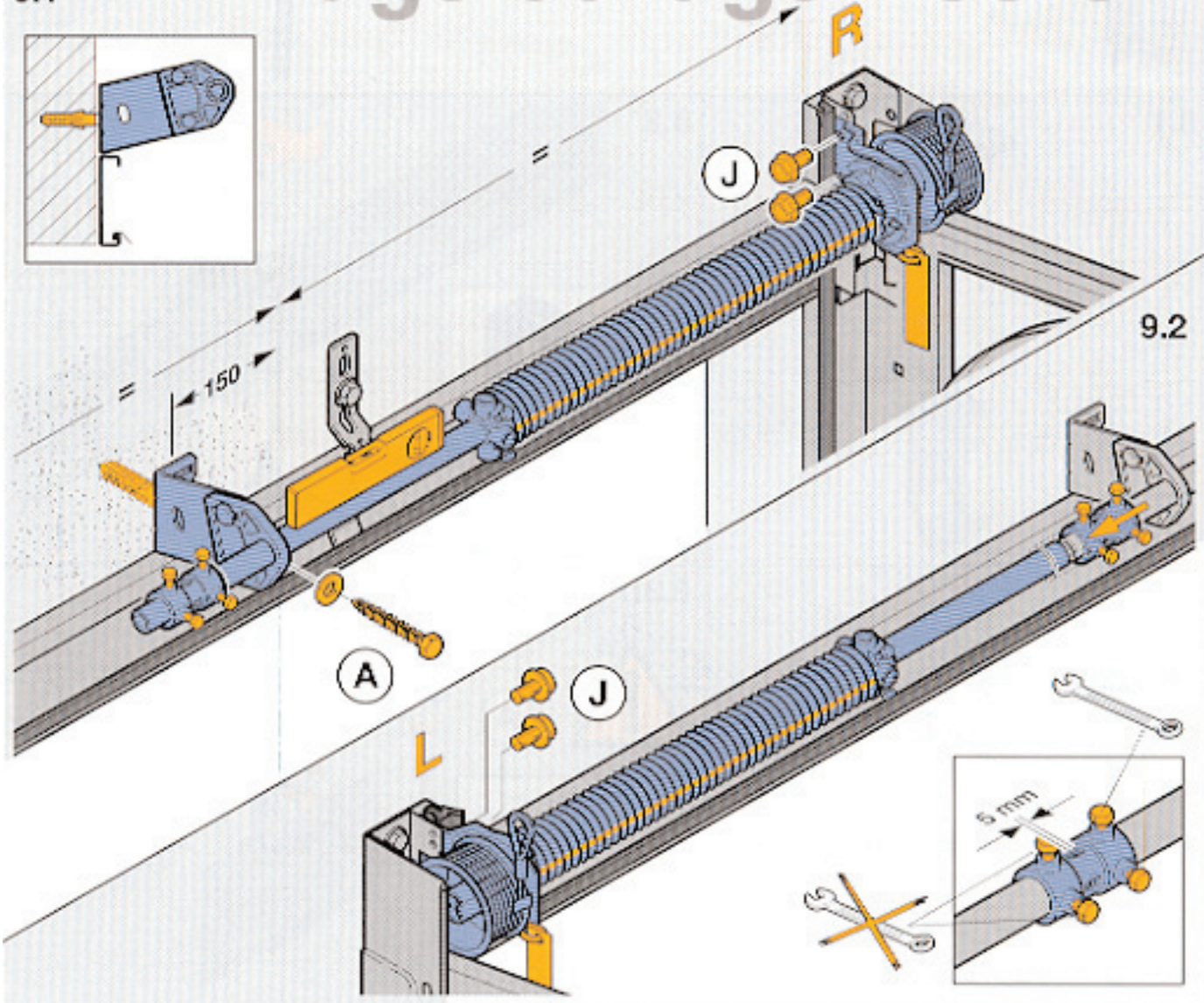


9

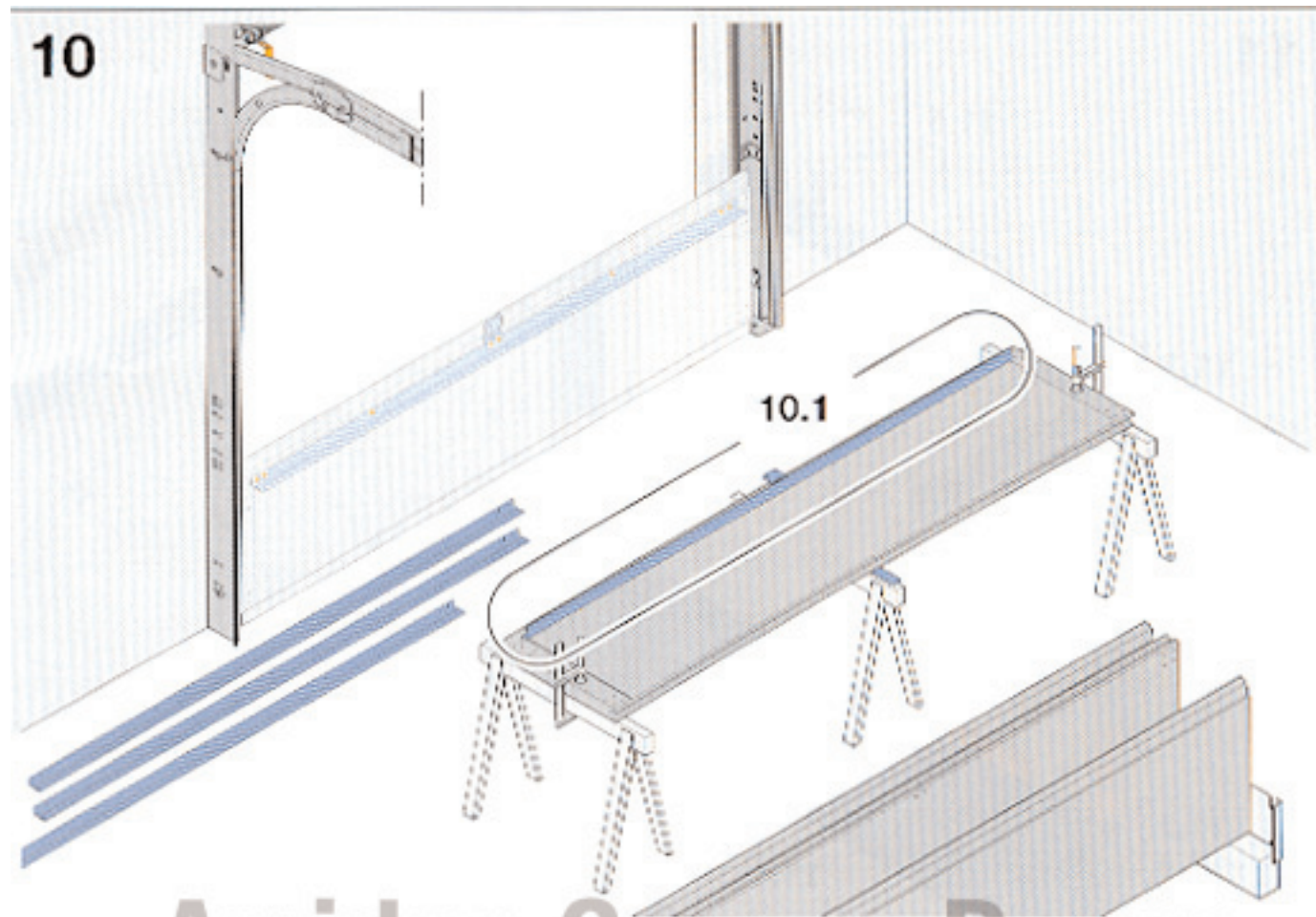


Arridge Garage Doors

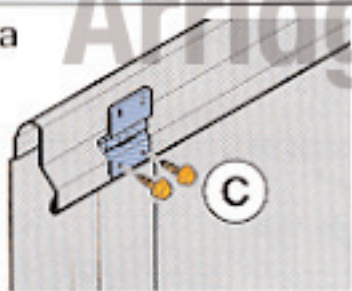
9.1



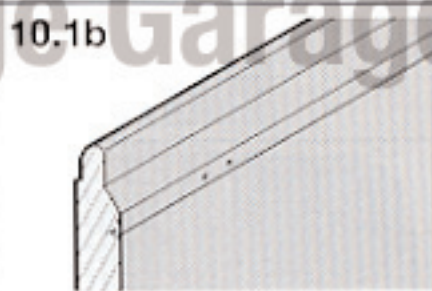
10



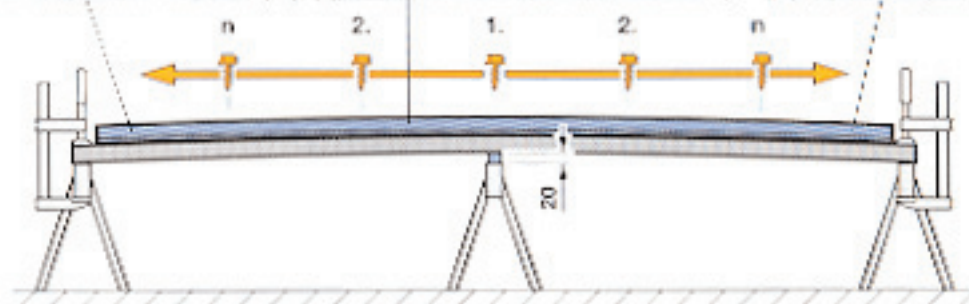
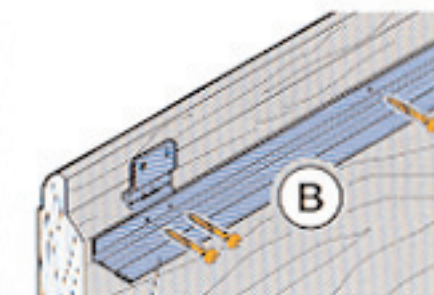
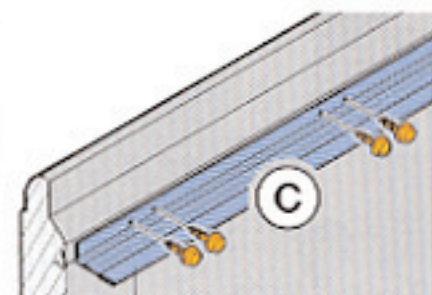
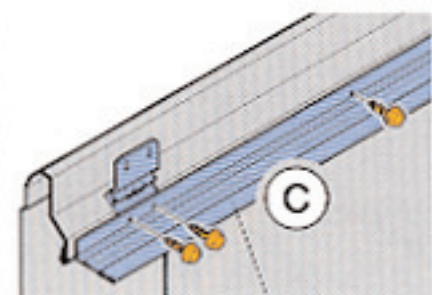
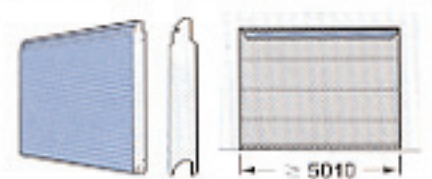
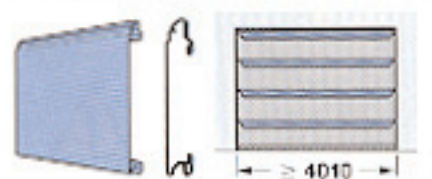
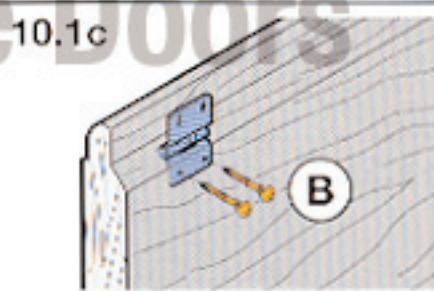
10.1a



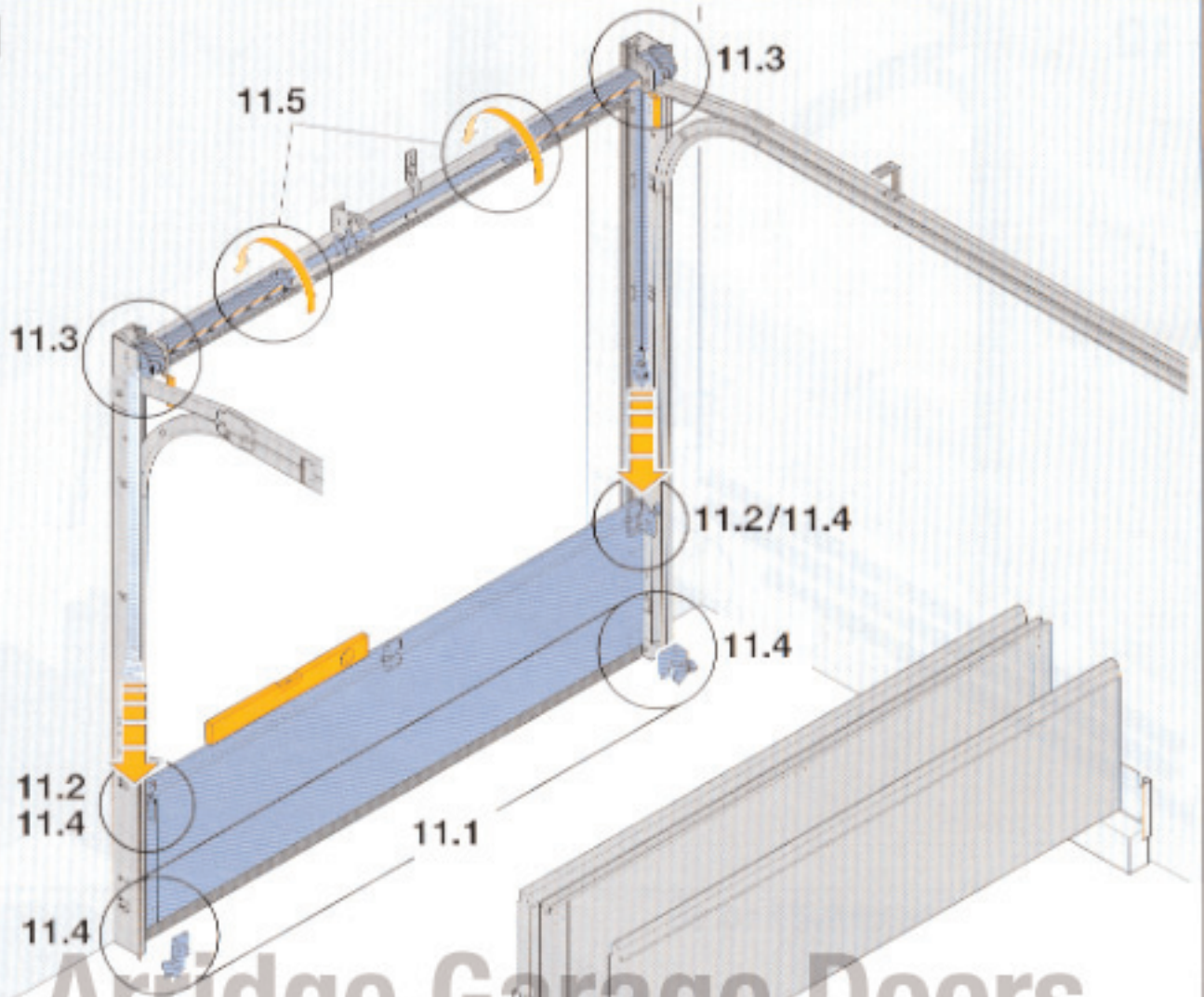
10.1b



10.1c



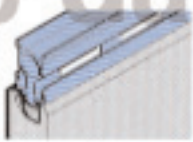
11



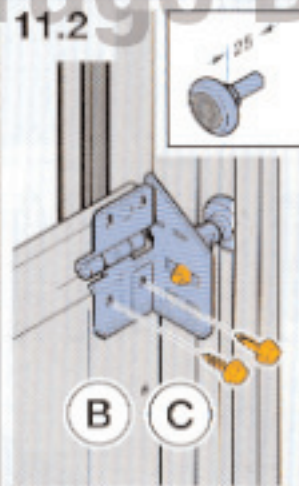
11.1a



11.1b



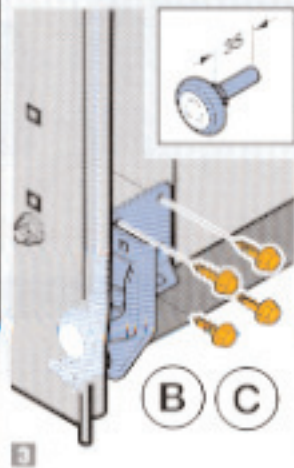
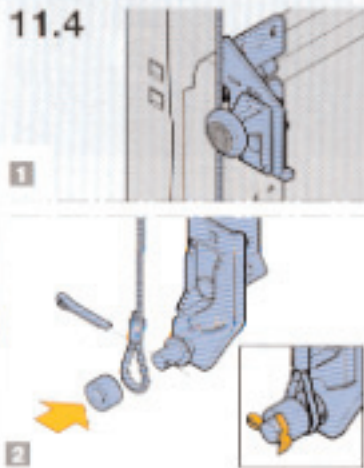
11.2



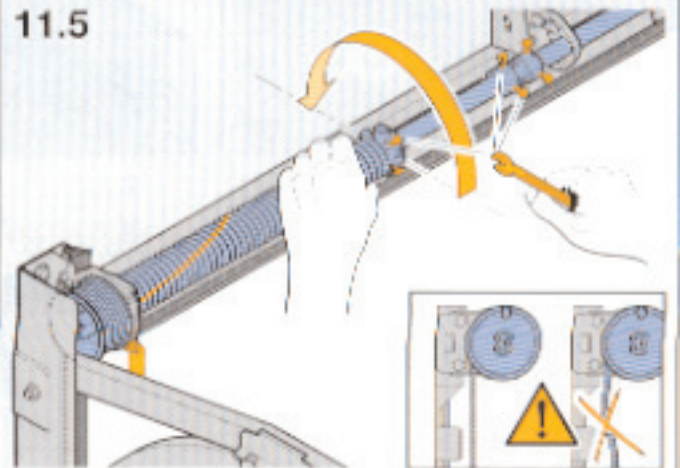
11.3



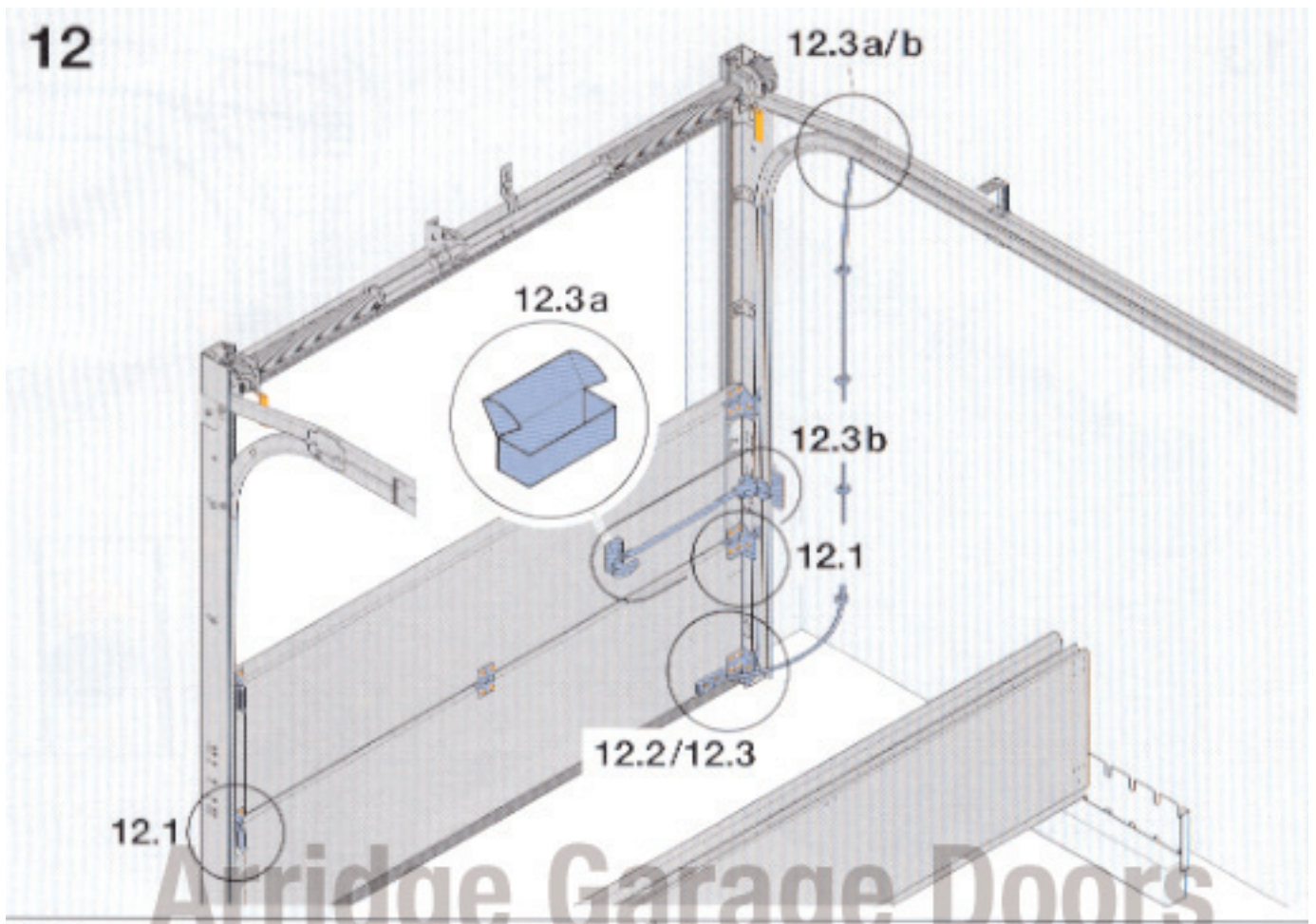
11.4



11.5

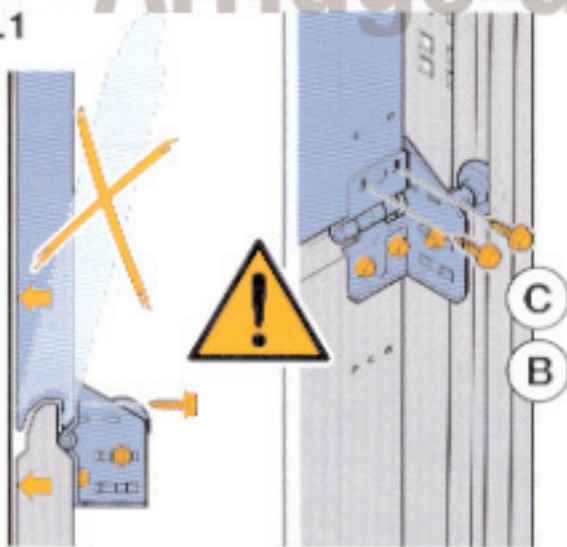


12

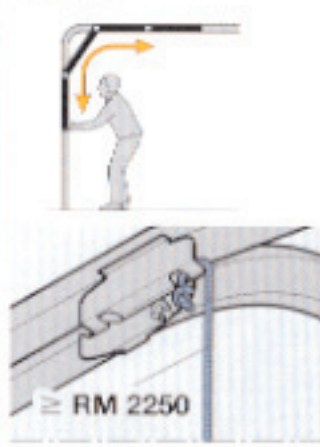


Airidge Garage Doors

12.1



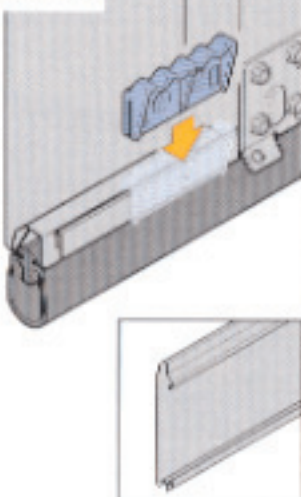
12.3a



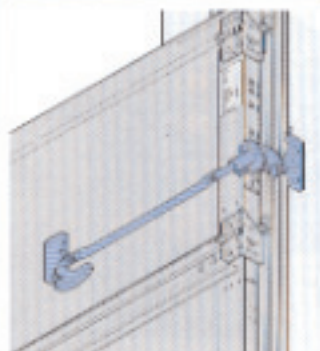
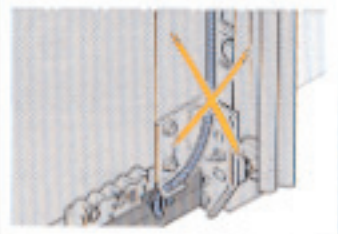
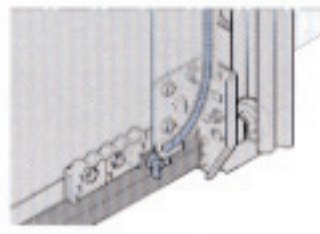
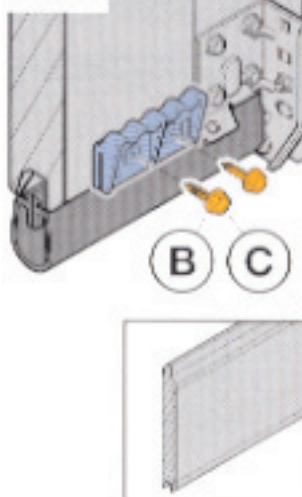
12.3b



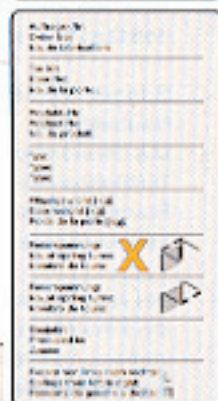
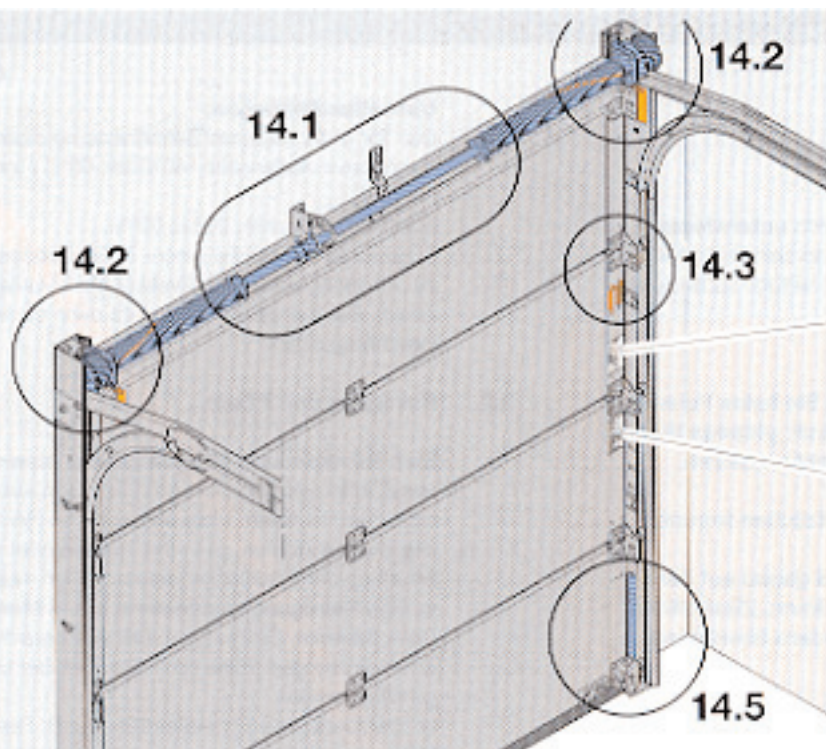
12.2a



12.2b



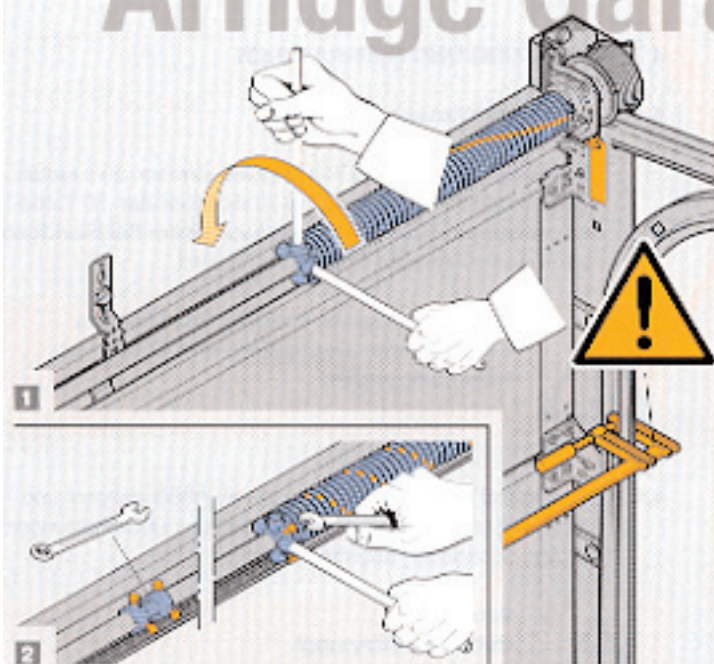
14



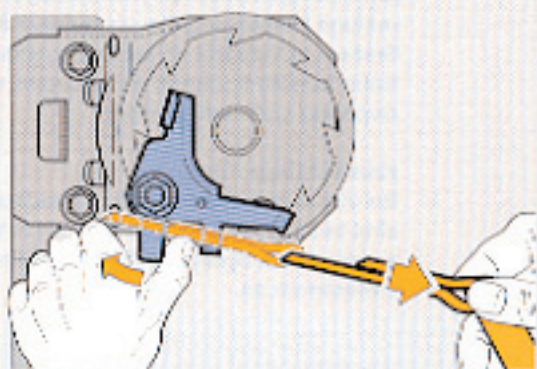
14.1

X = X

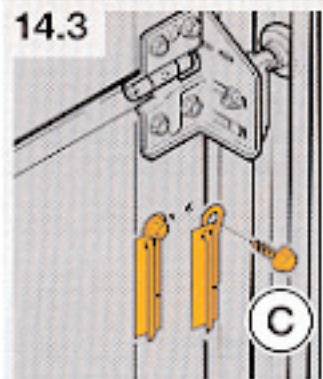
Arridge Garage Doors



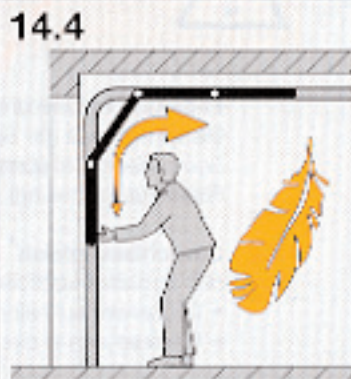
14.2



14.3



14.4



14.5

