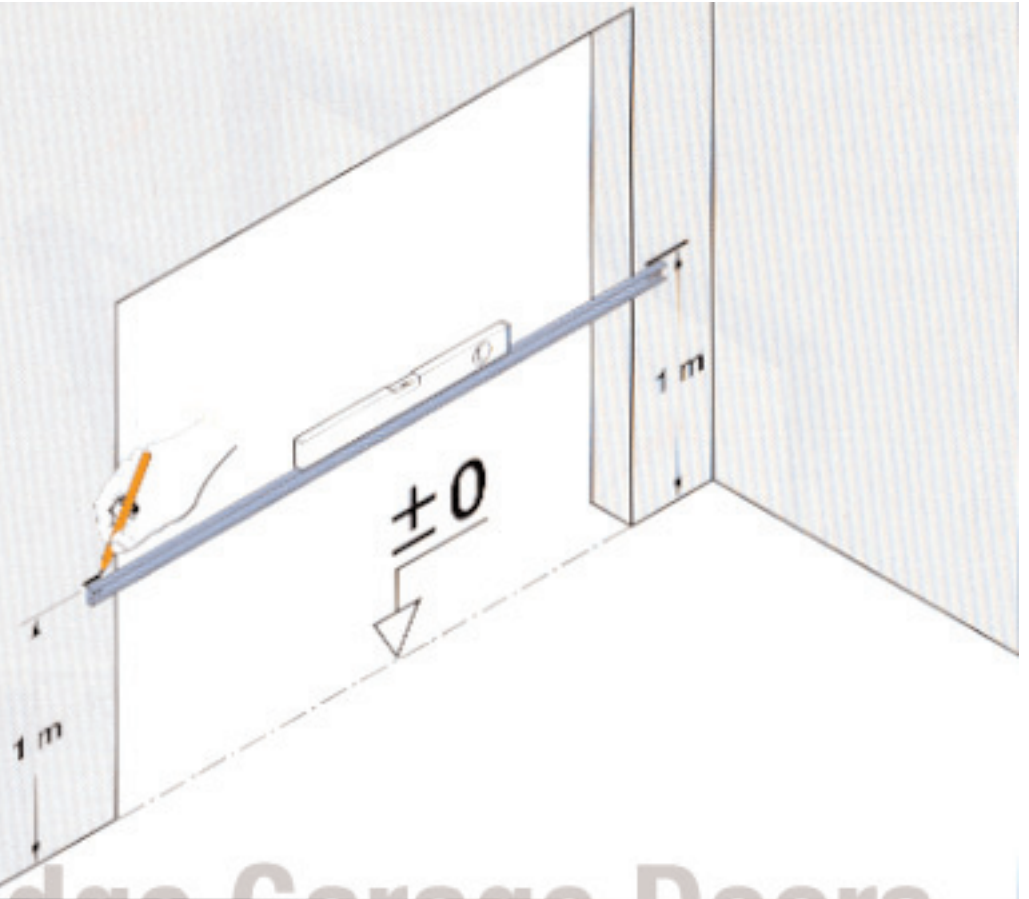
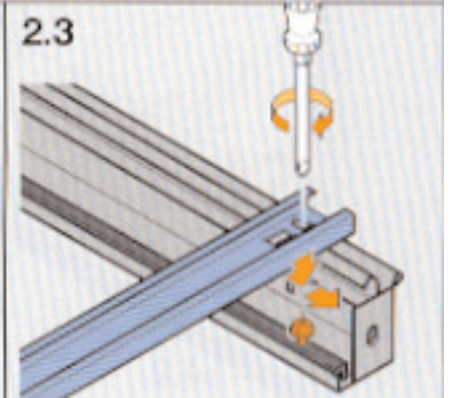
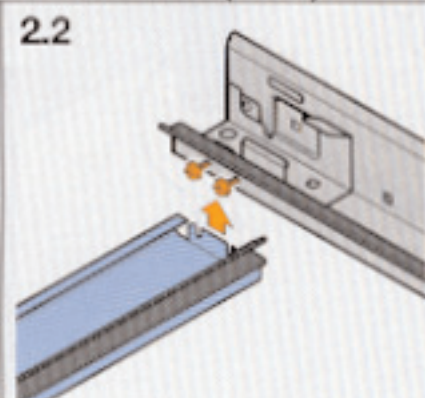
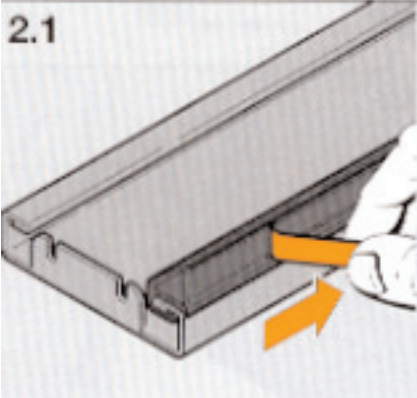
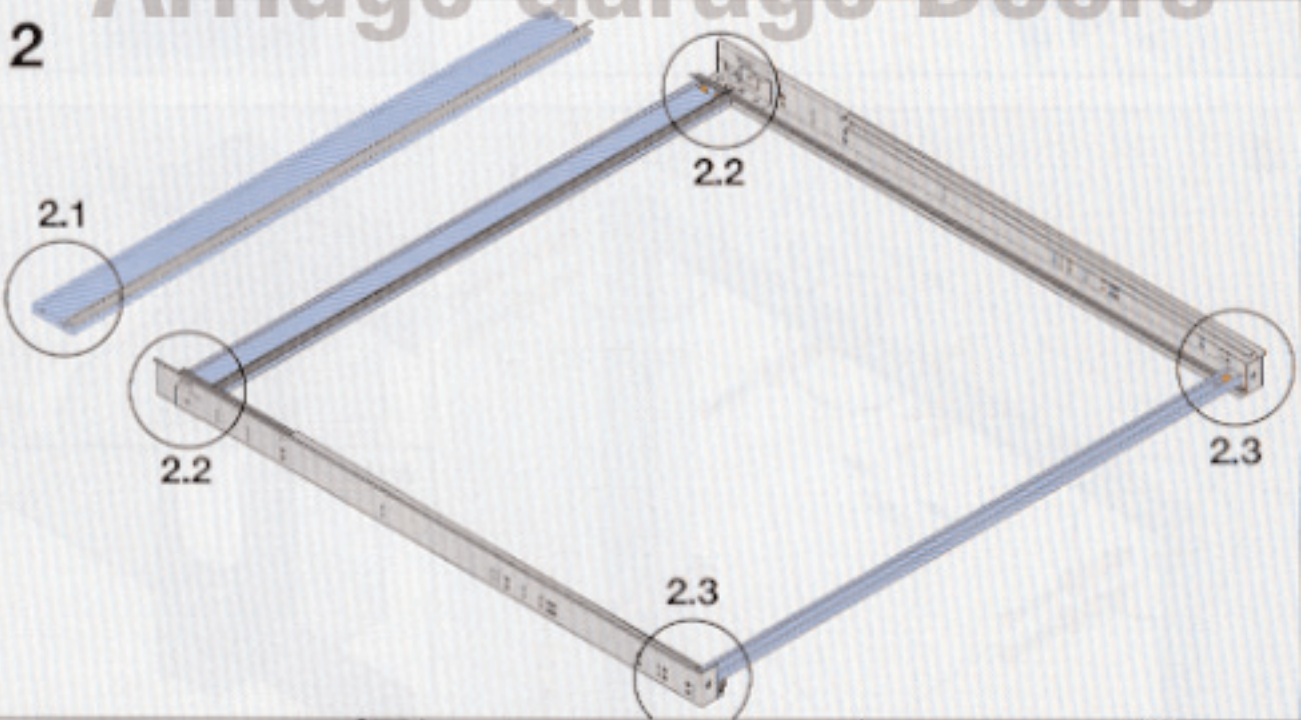


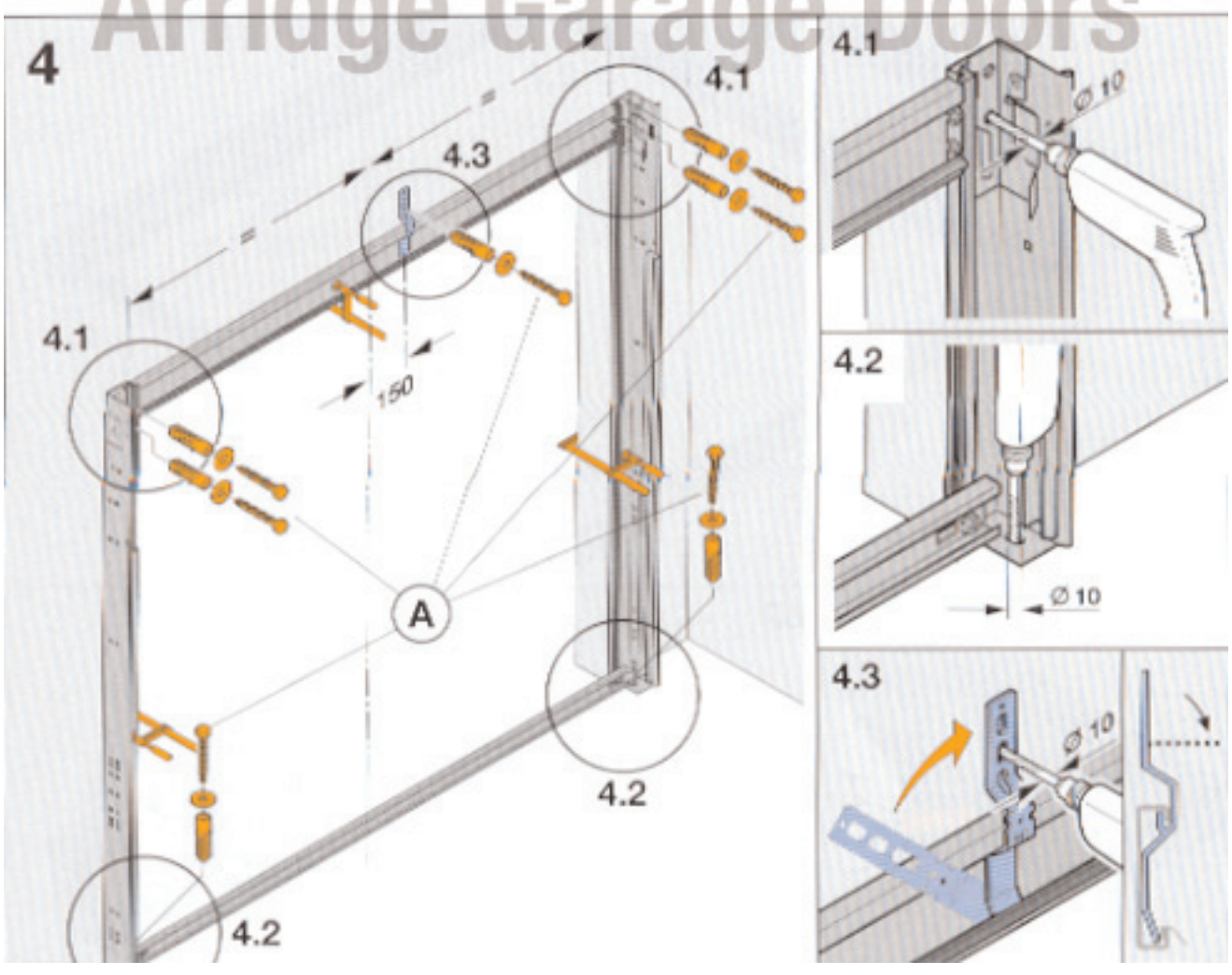
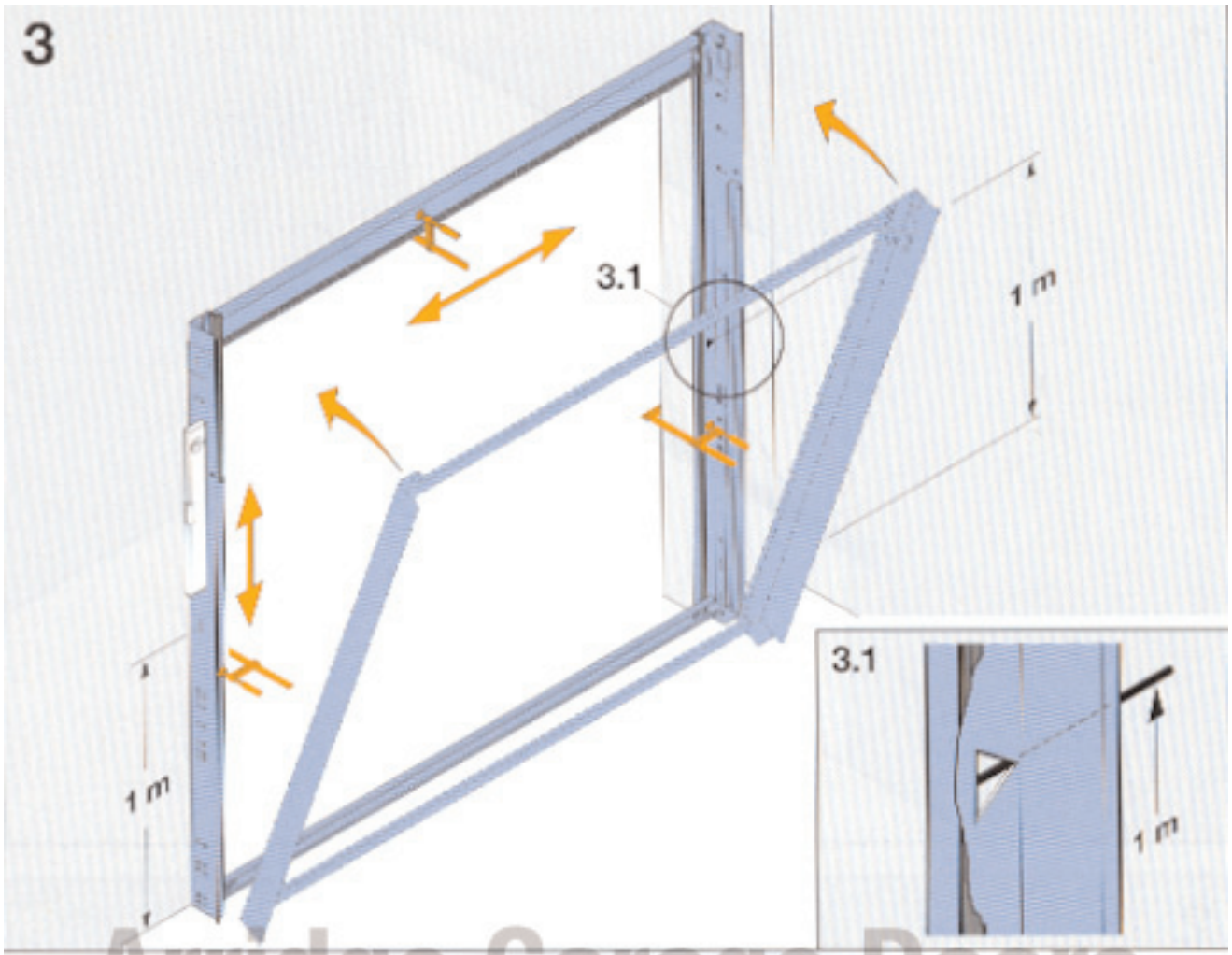
1



# Arridge Garage Doors

2

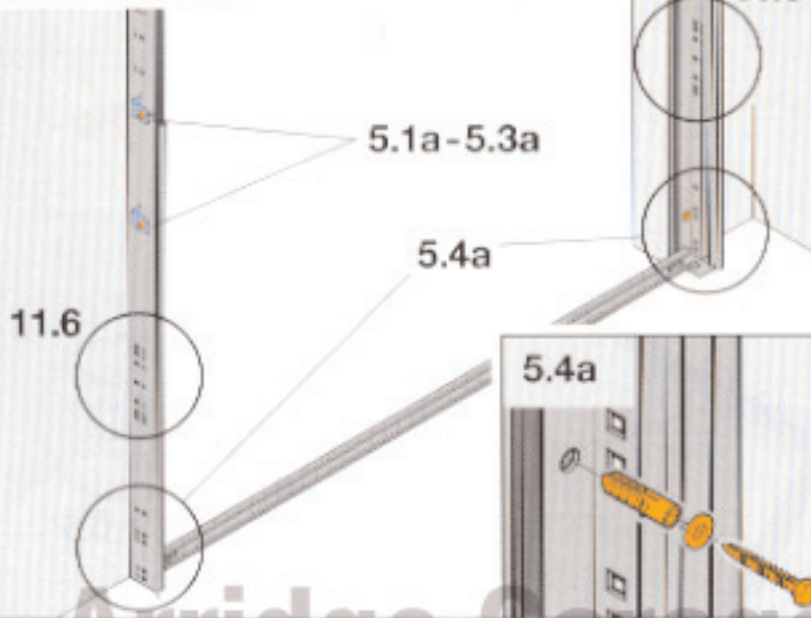
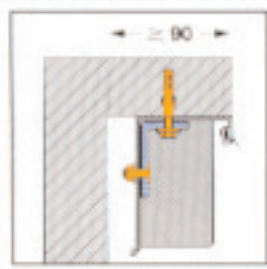




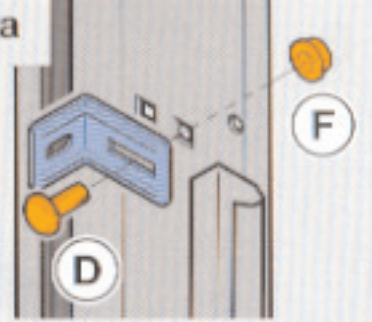
# Arridge Garage Doors



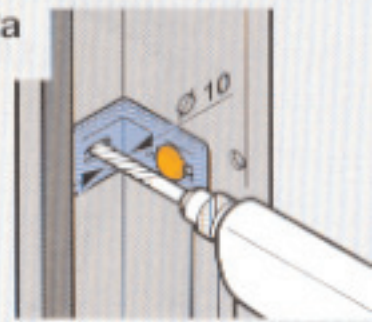
5a



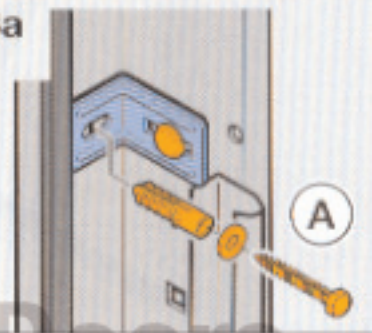
5.1a



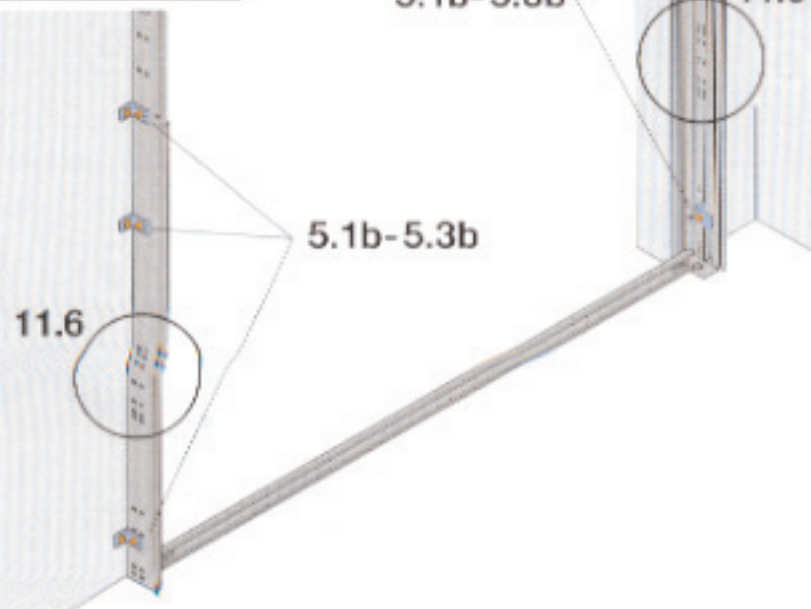
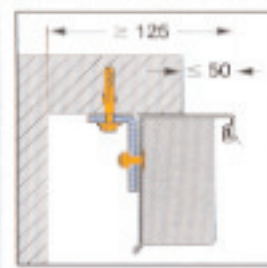
5.2a



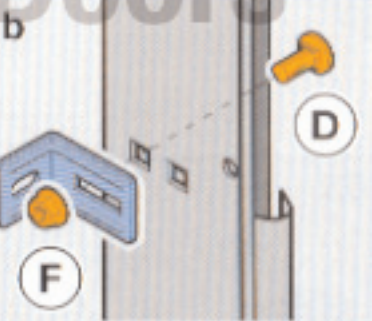
5.3a



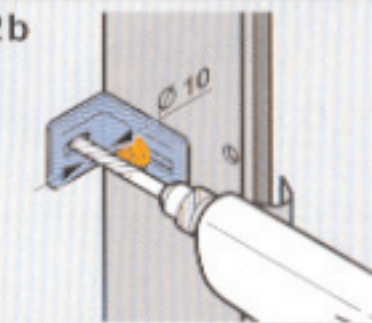
5b



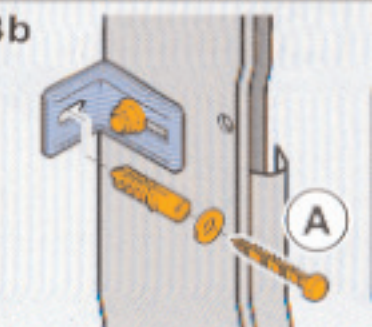
5.1b



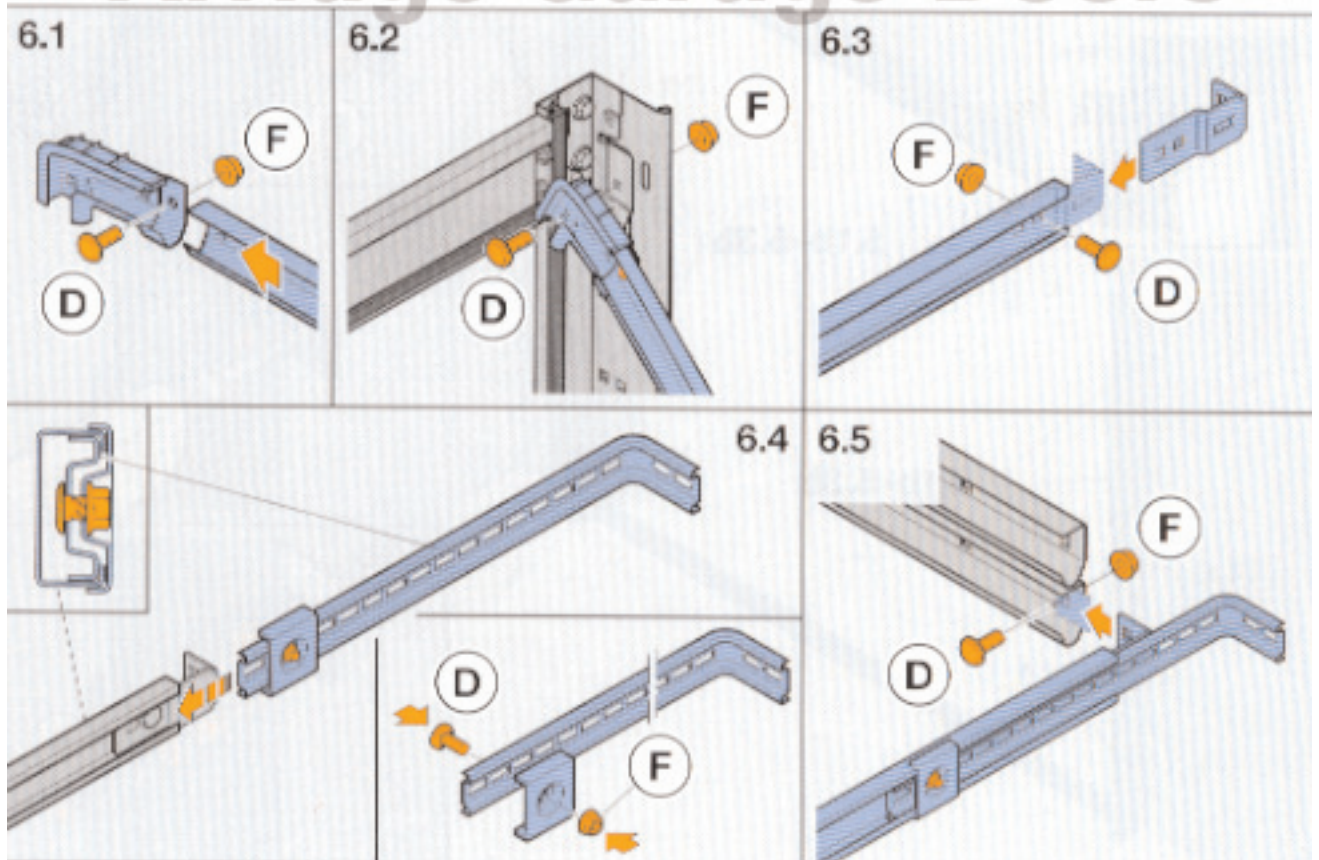
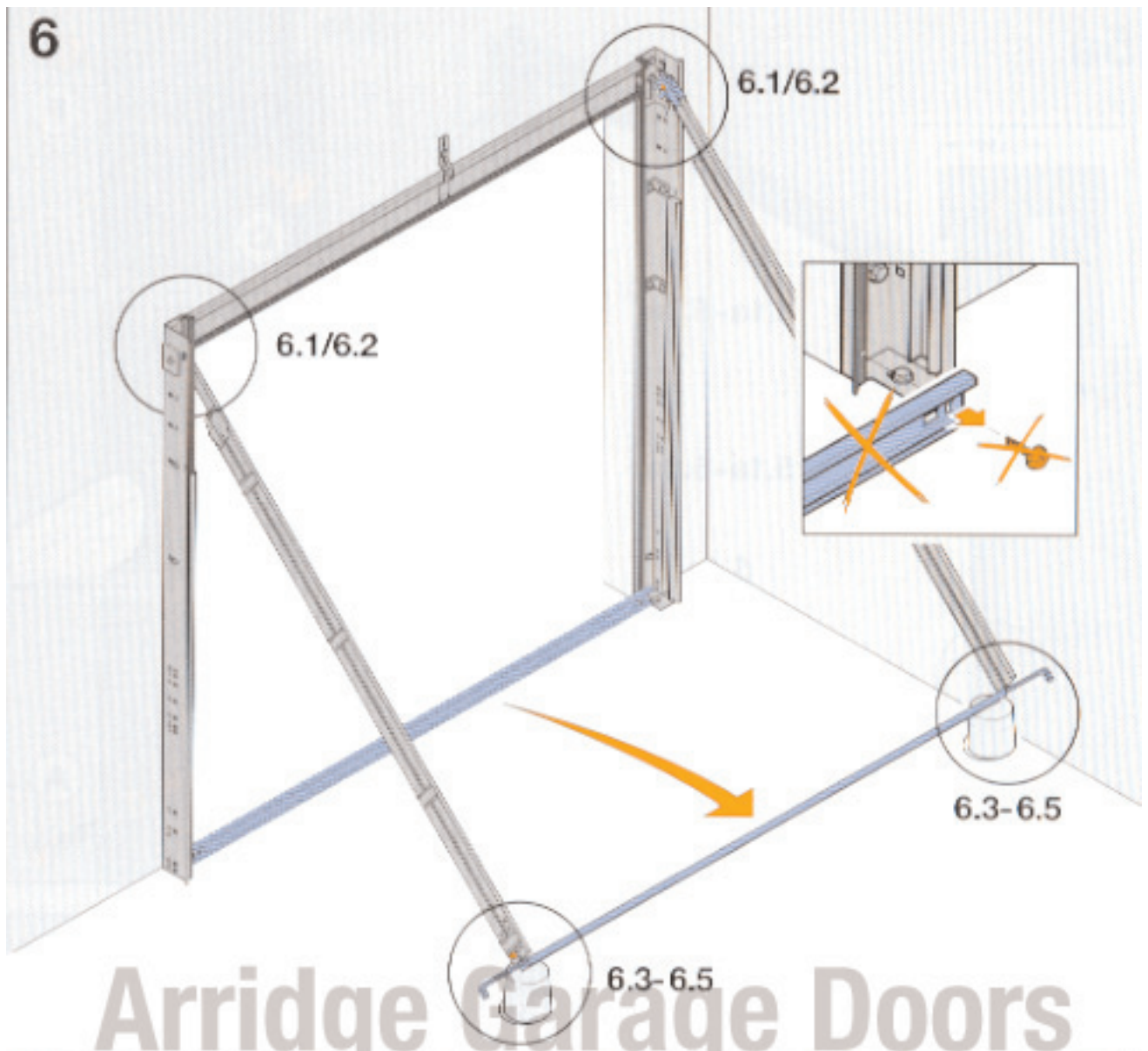
5.2b



5.3b



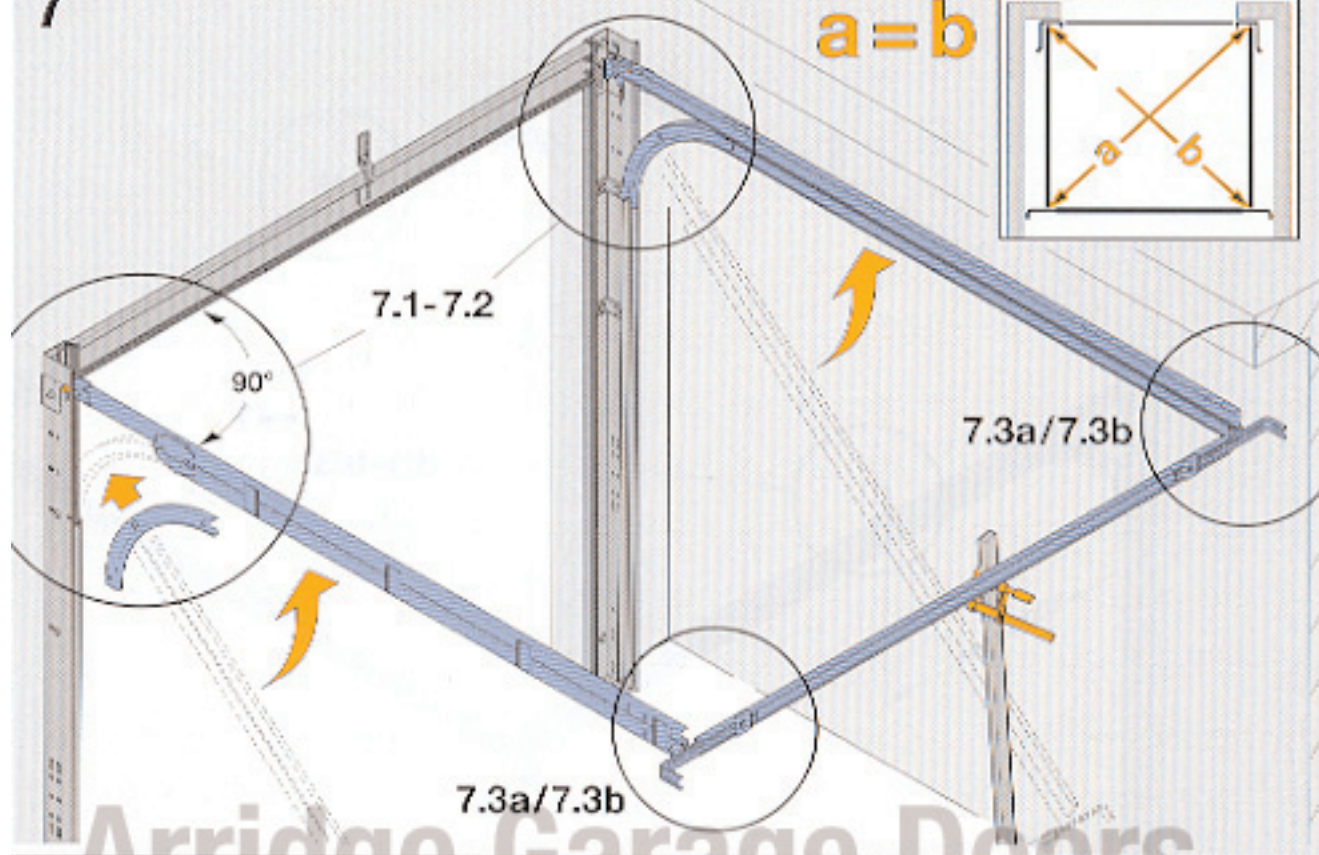
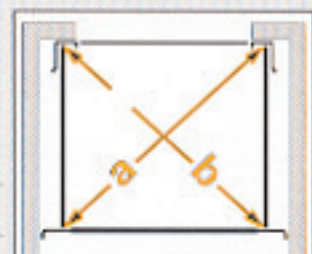
Arridge Garage Doors



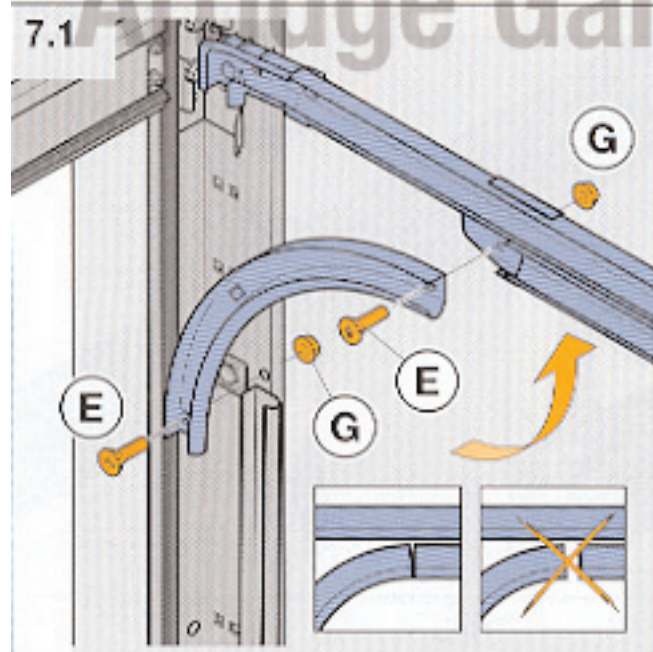


7

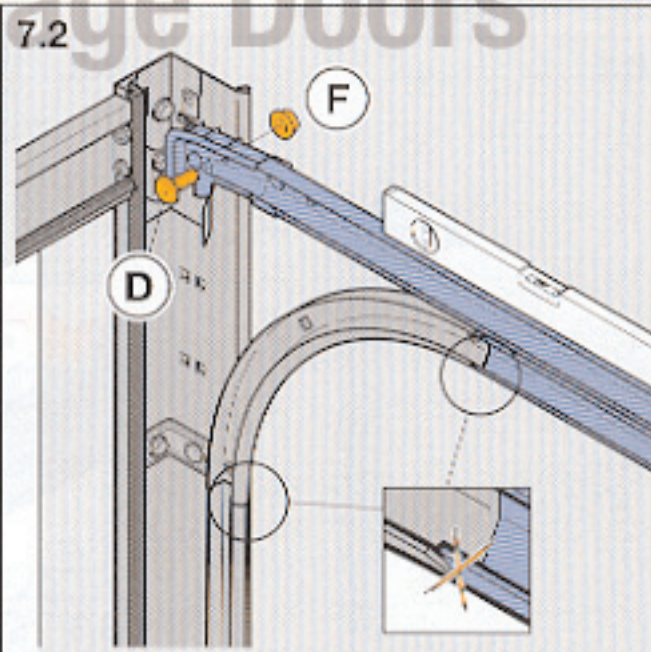
$a = b$



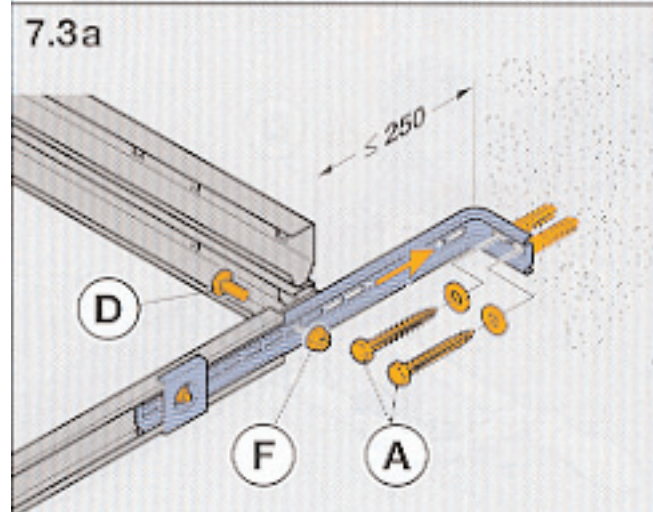
7.1



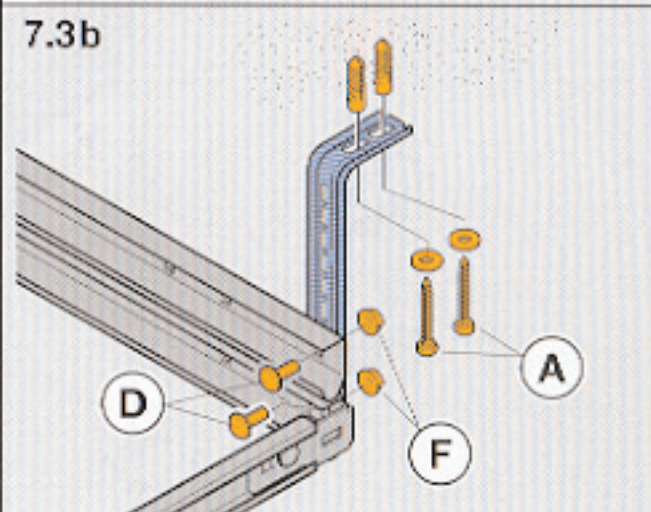
7.2



7.3a



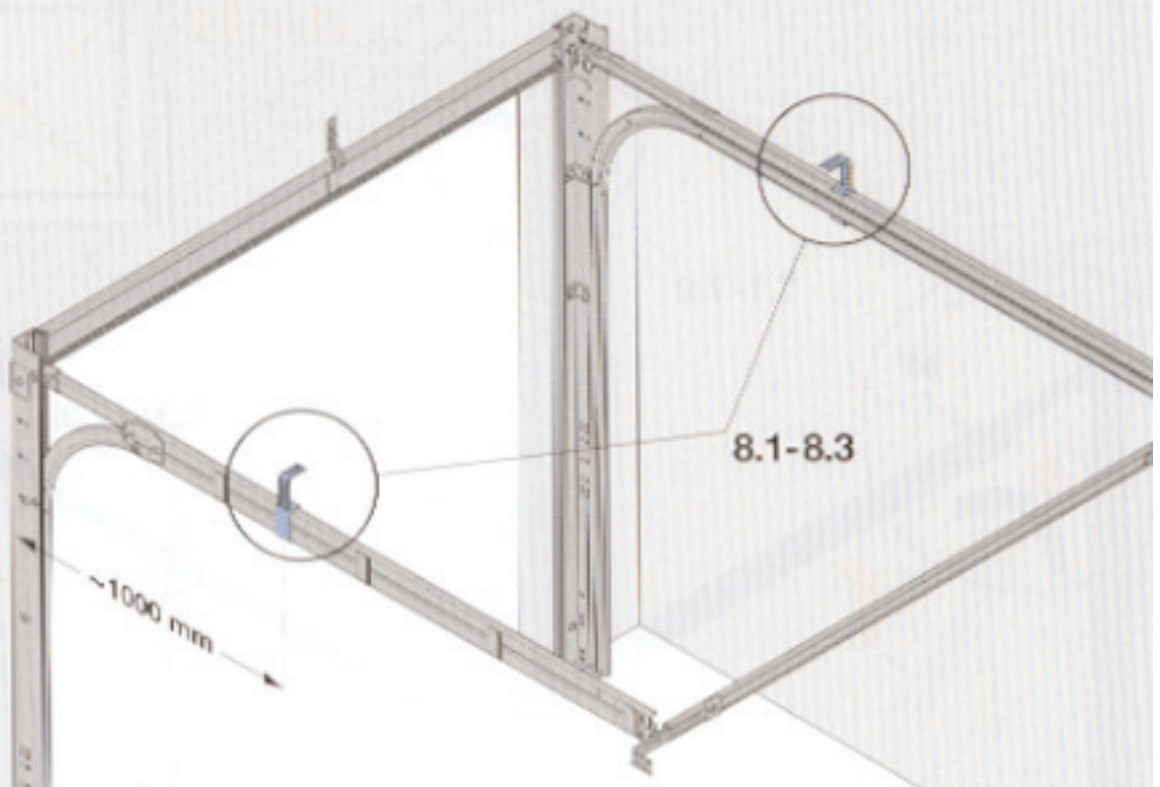
7.3b



Arridge Garage Doors



8

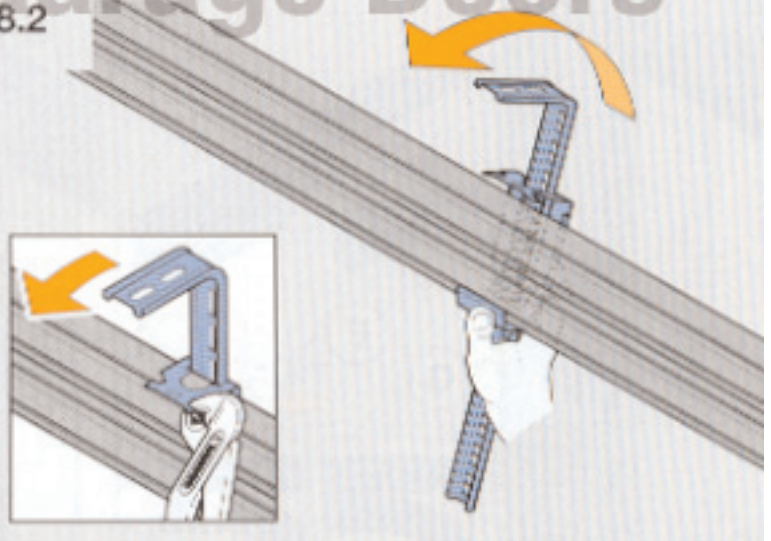


# Arridge Garage Doors

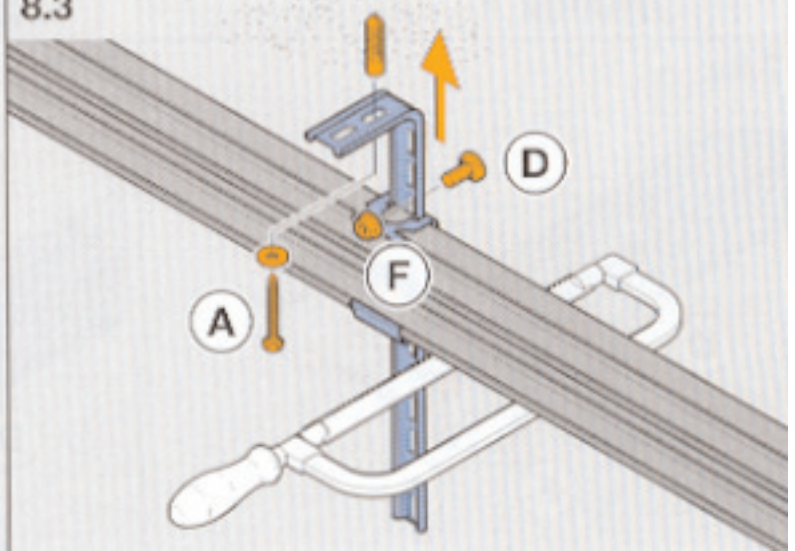
8.1



8.2

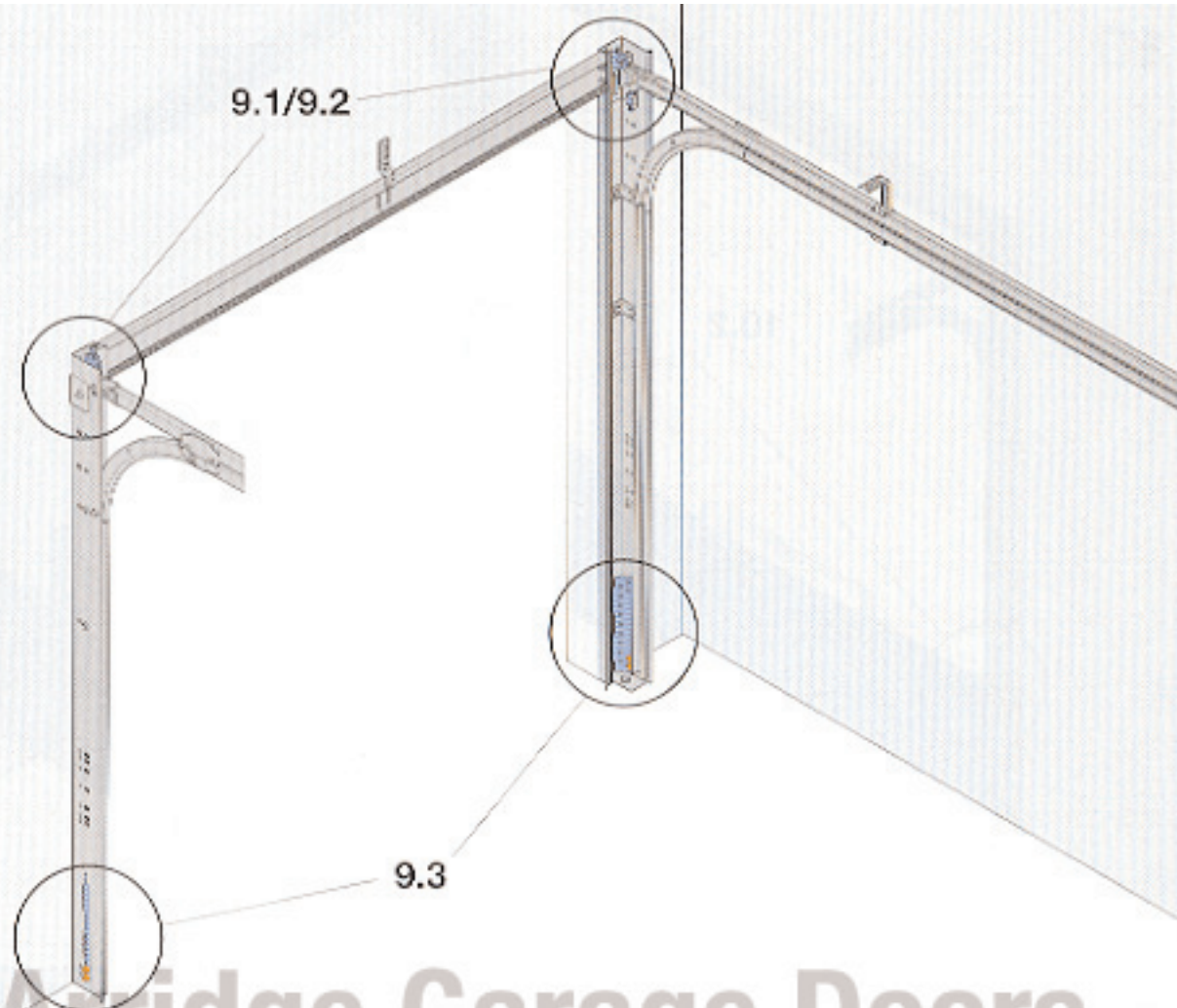


8.3



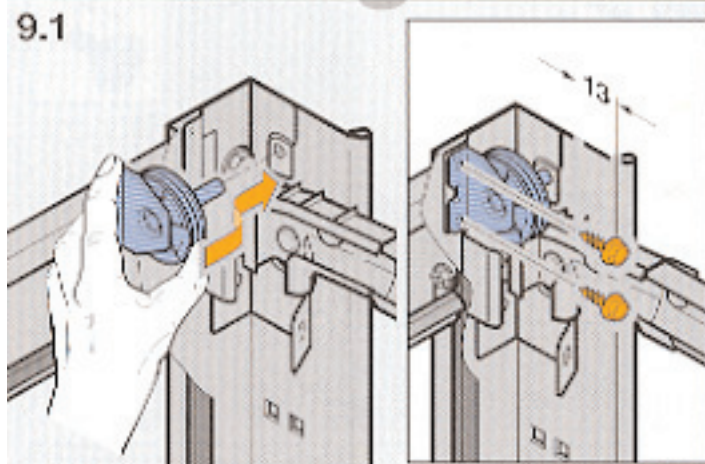


9

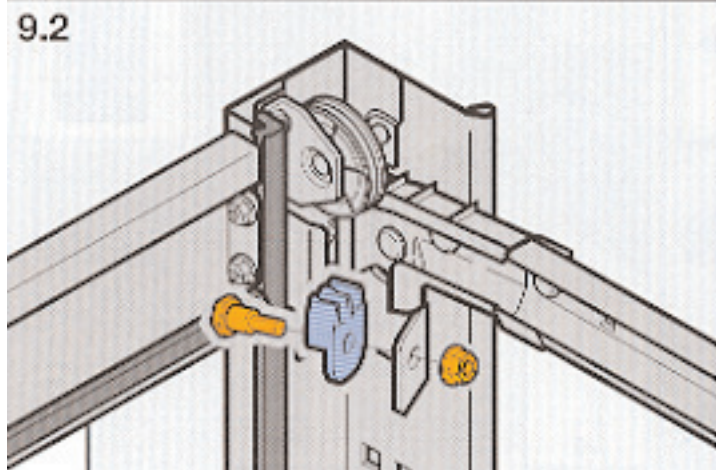


# Airridge Garage Doors

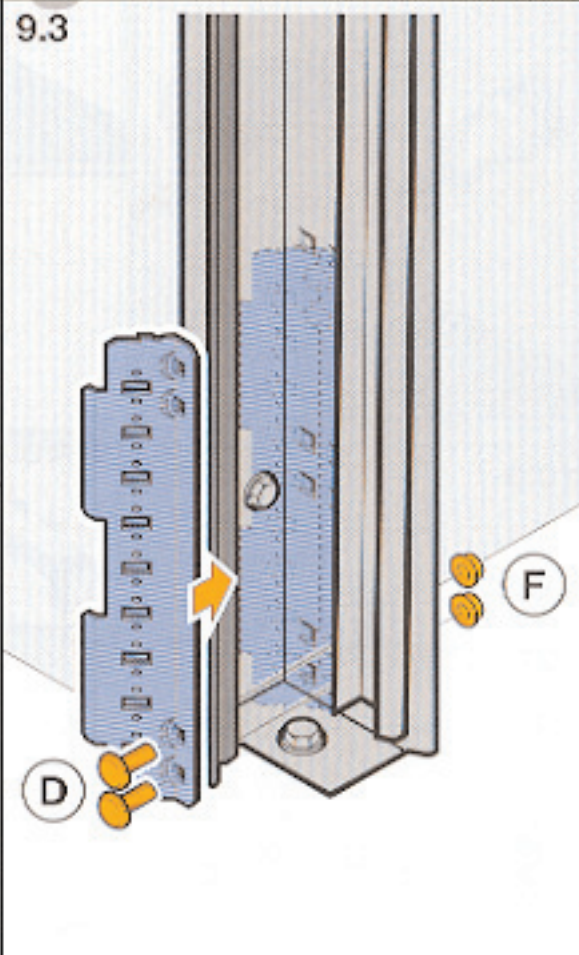
9.1



9.2

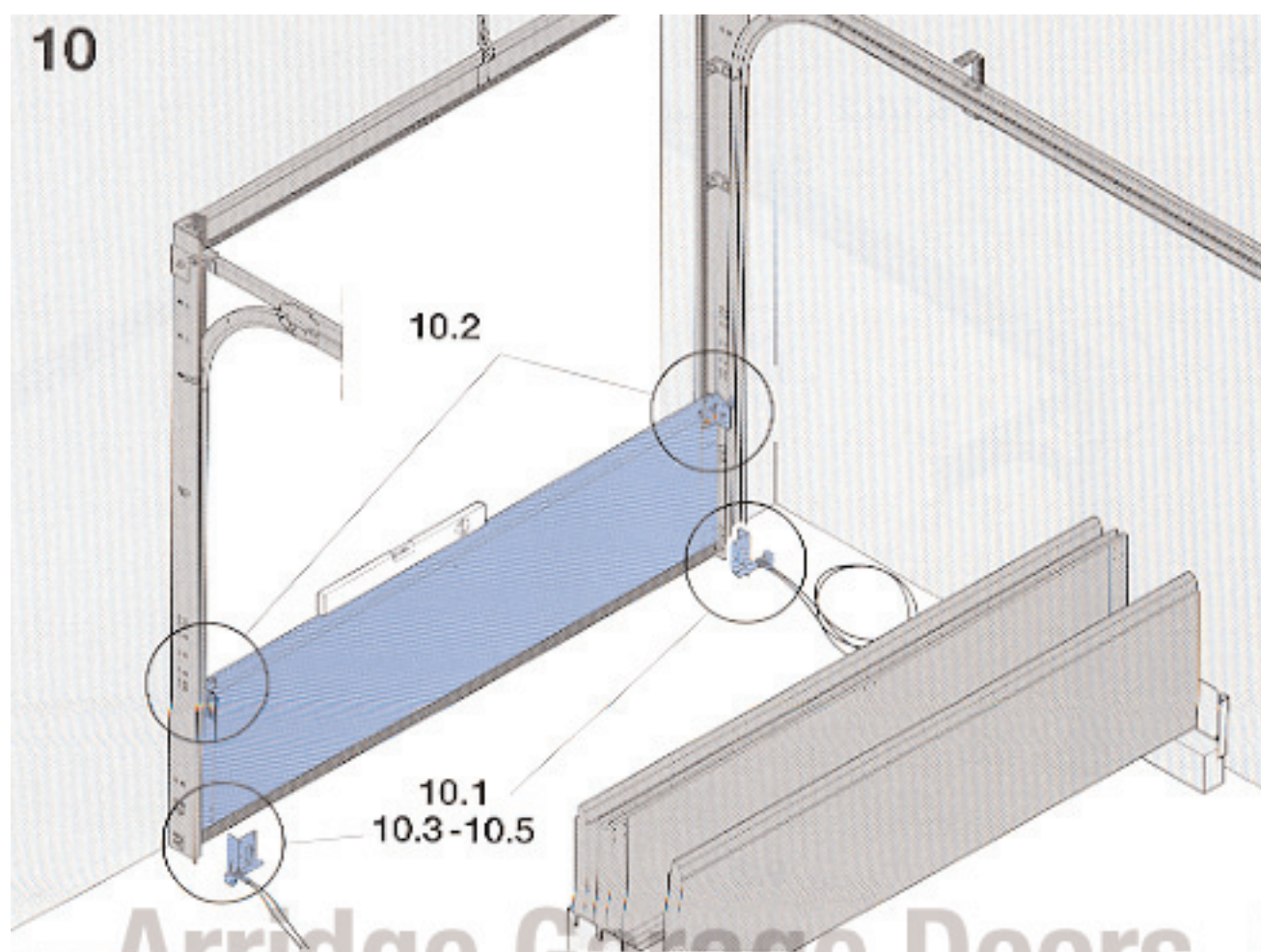


9.3



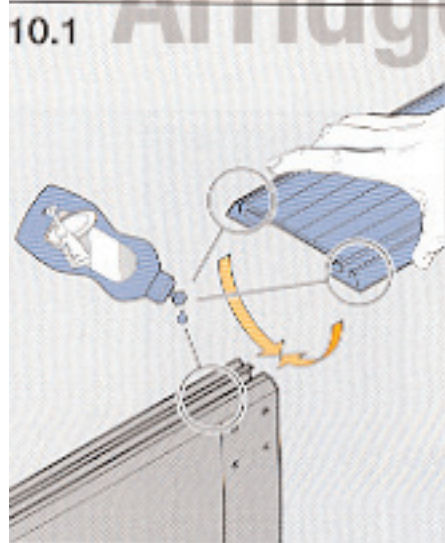


10

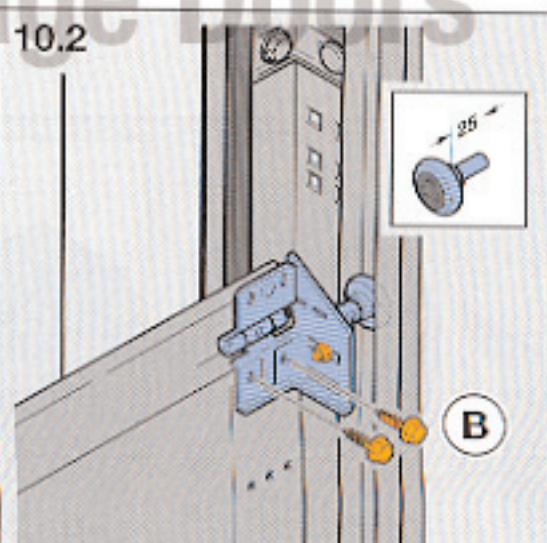
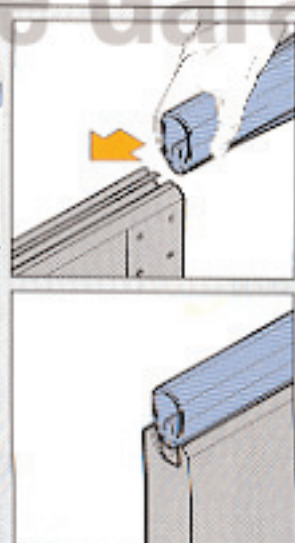


# Arridge Garage Doors

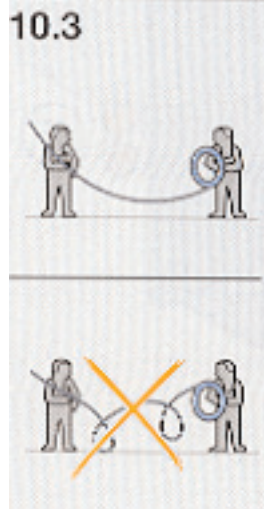
10.1



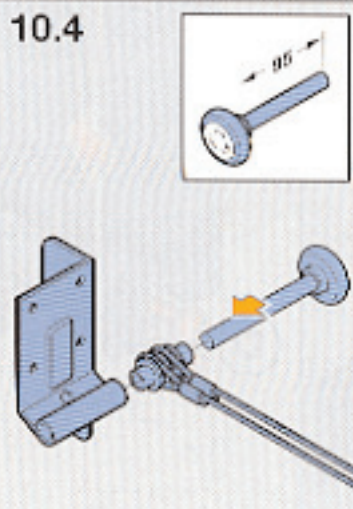
10.2



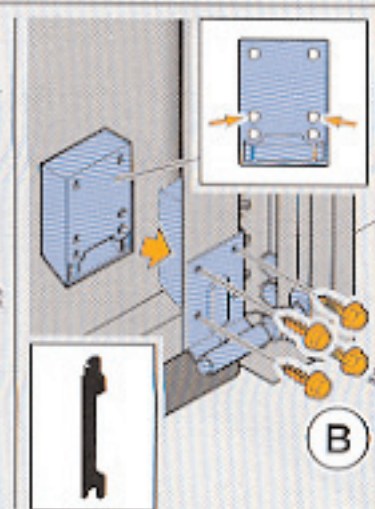
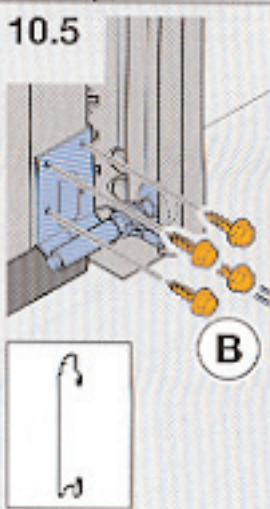
10.3



10.4

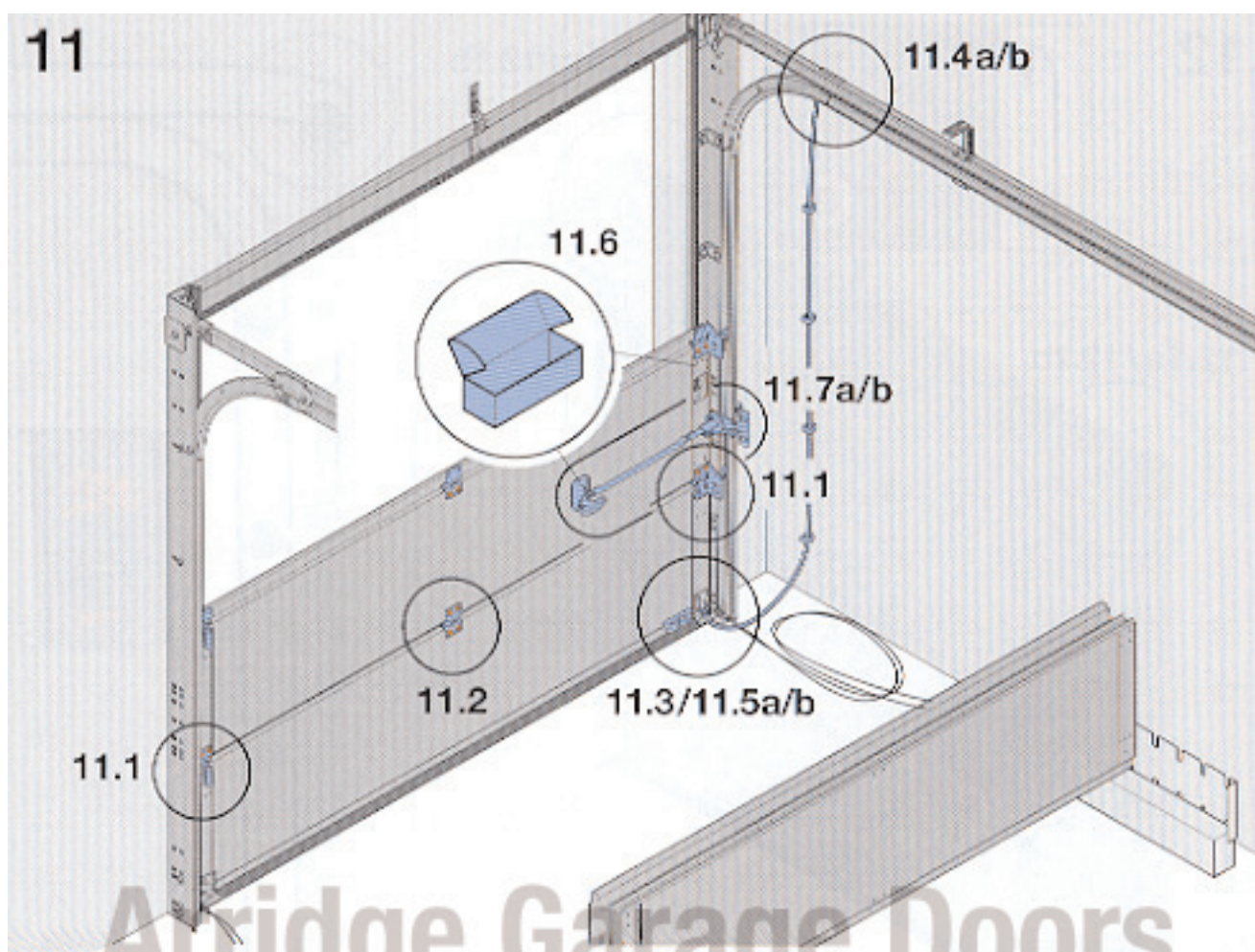


10.5

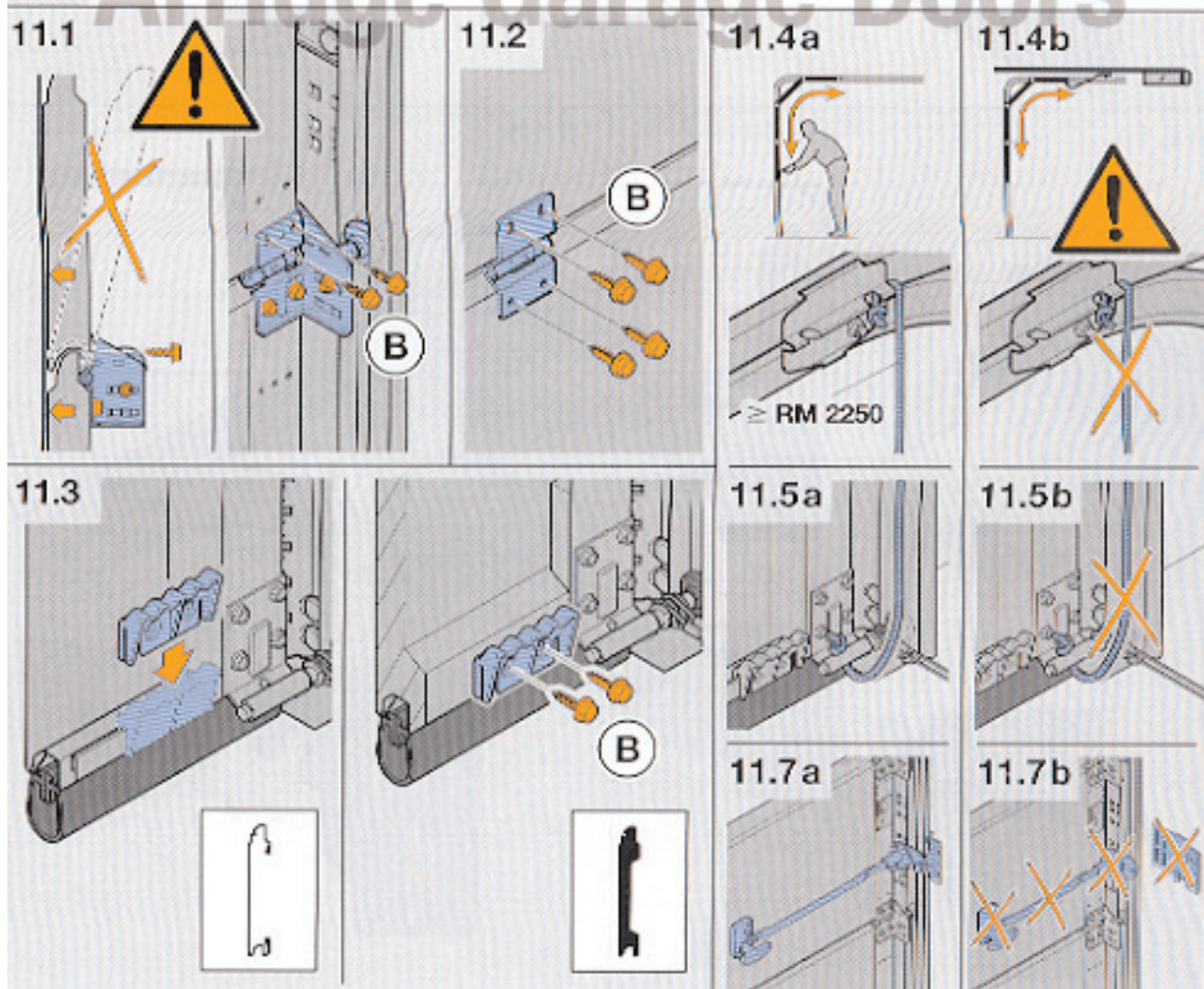




11

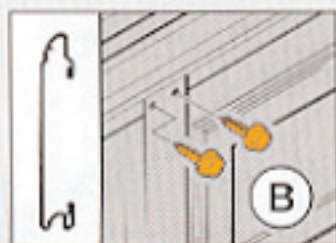


# Aridge Garage Doors



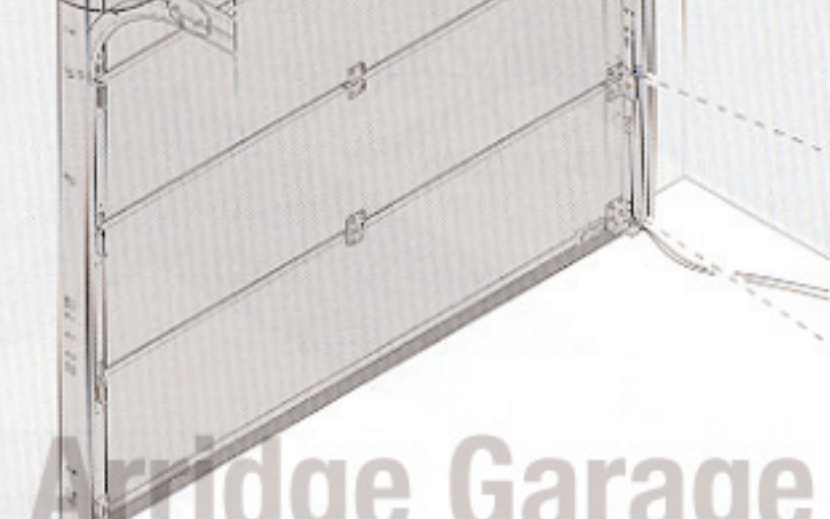
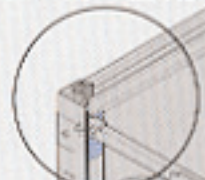


12



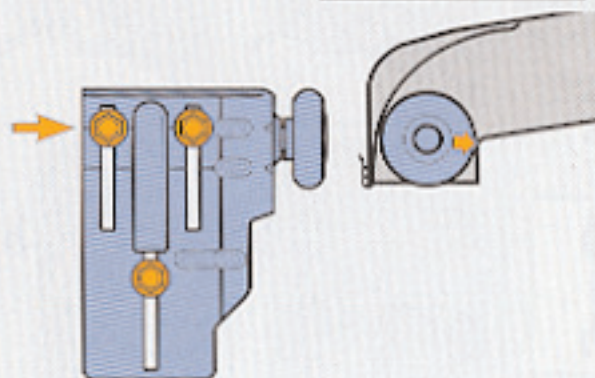
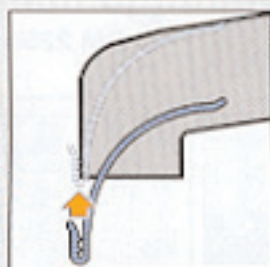
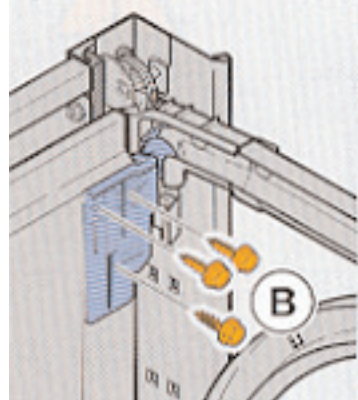
12.1a/12.1b

12.1a/12.1b

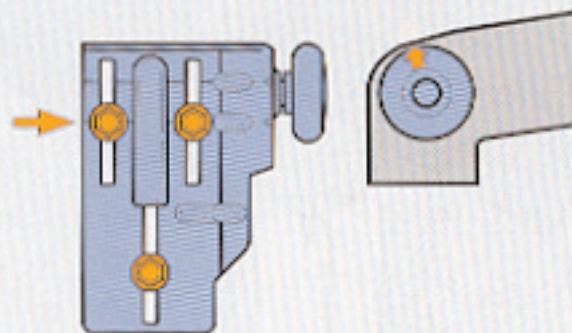
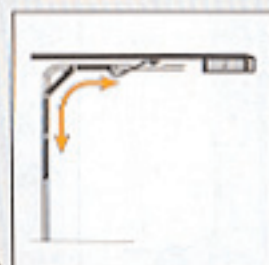
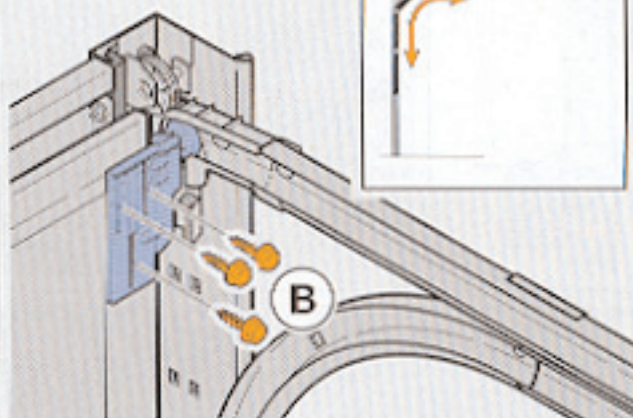


Arridge Garage Doors

12.1a

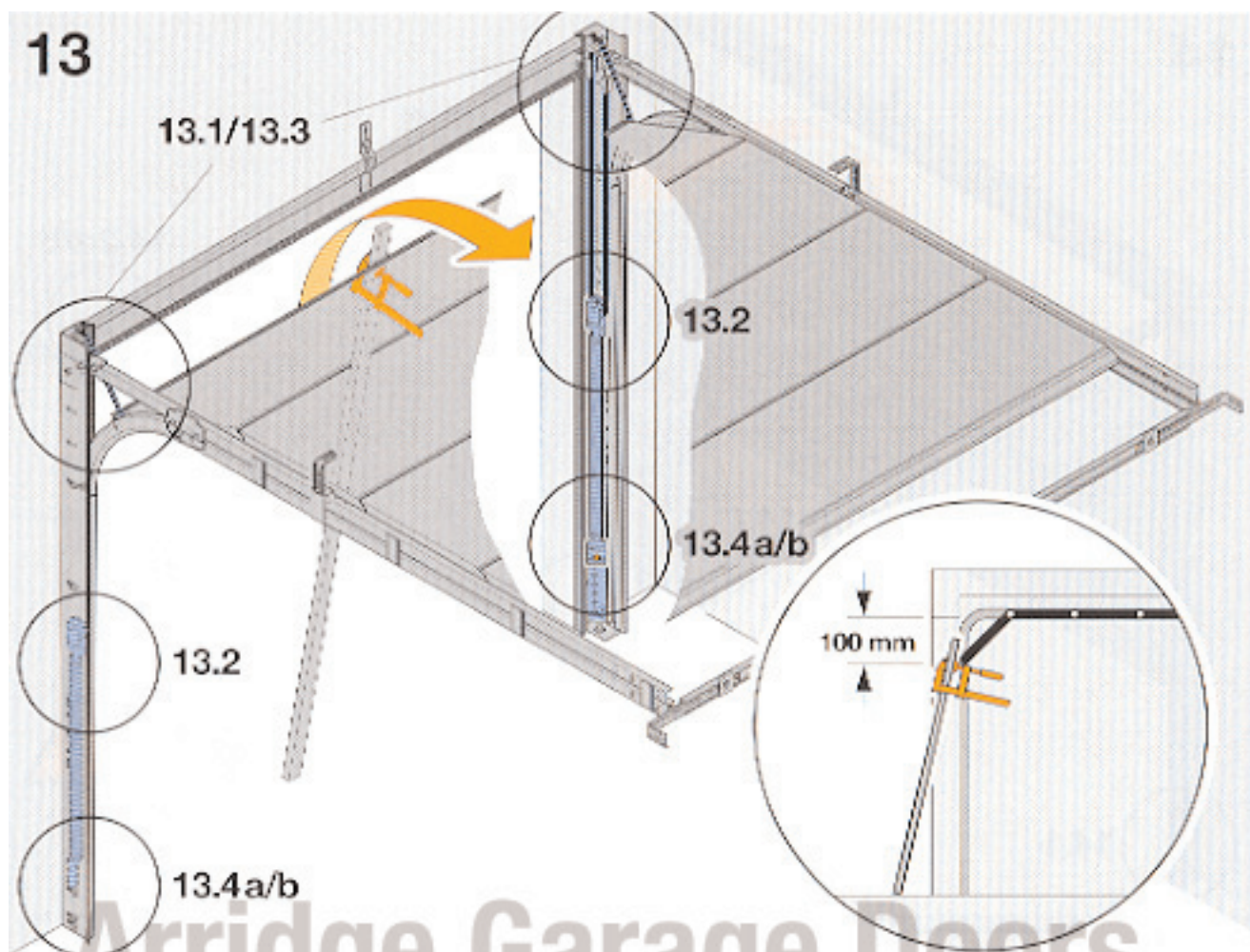


12.1b

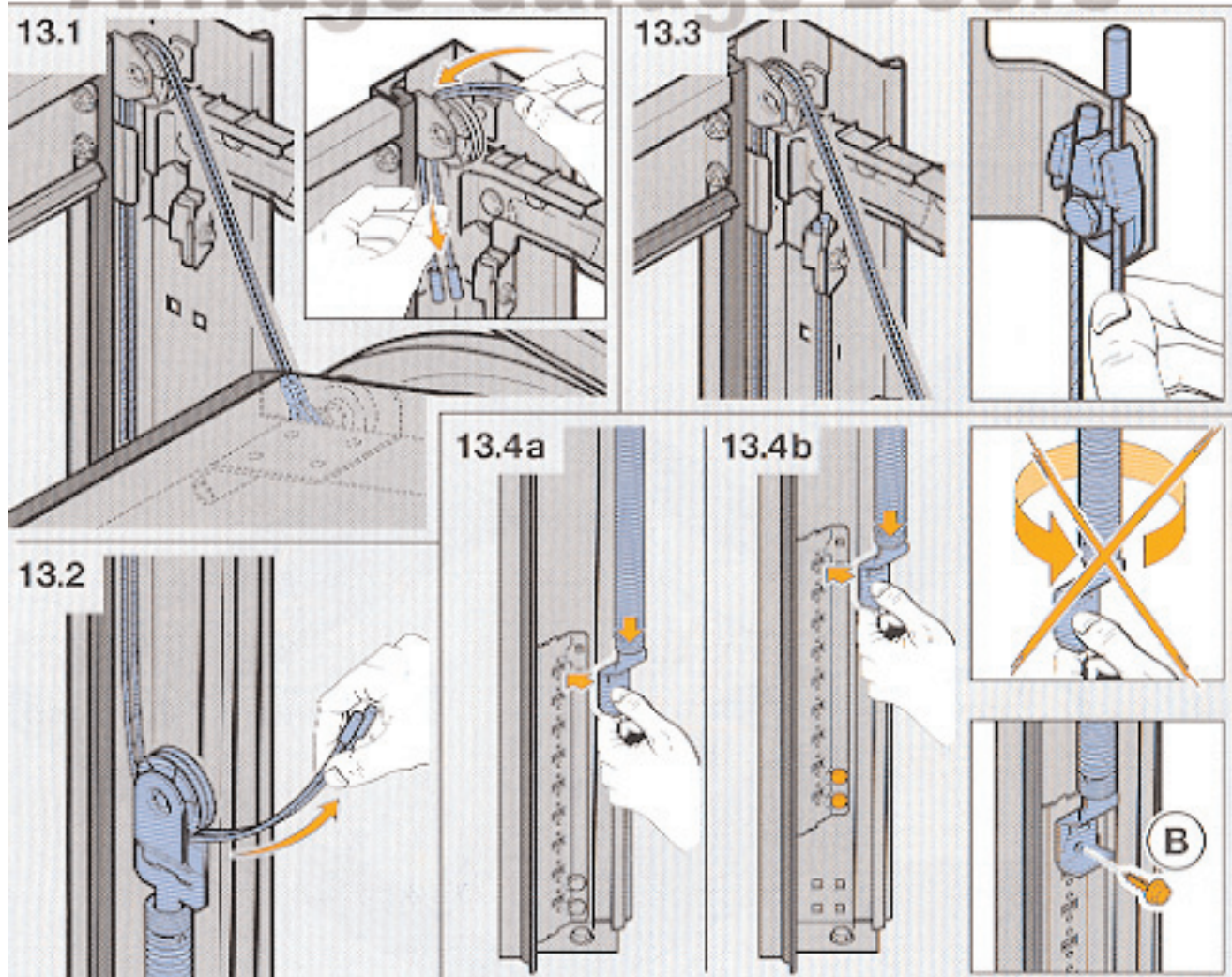




13



# Arridge Garage Doors





14

14.2a/b

14.1

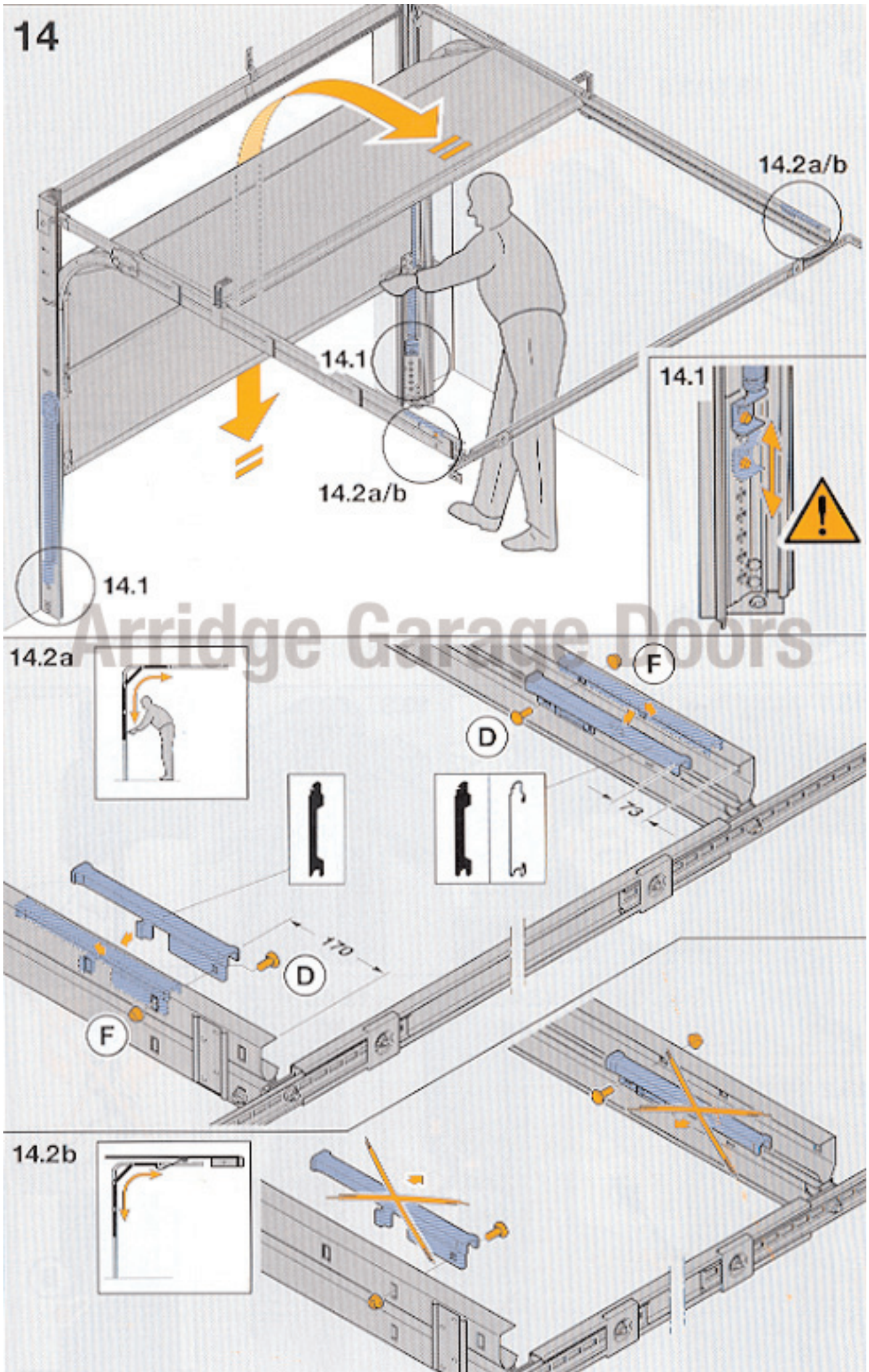
14.2a/b

14.1

14.1


14.2a

14.2b








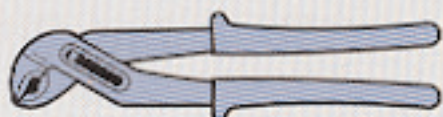
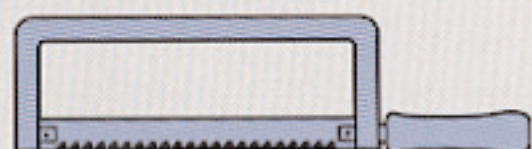
13 



10 

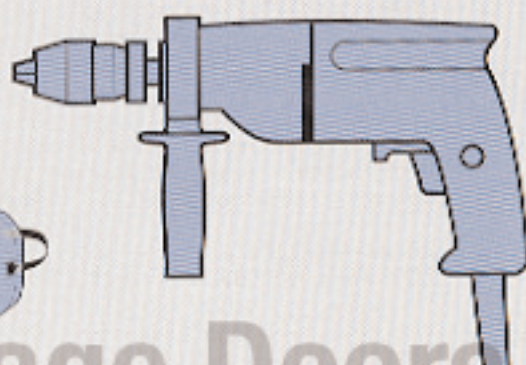


2 



Ø 10 

Ø 5 



Arridge Garage Doors

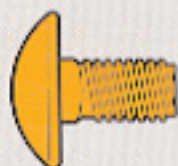
A



B



C



D



F

E



G